

Vehicle Intercom Systems (VIS)

TacG2 (AN/VIC-5)

COBHAM

The most important thing we build is trust





Cobham's family of VIS is designed to provide effective and reliable Command and Control solutions for a wide spectrum of platforms and configurations, including command centres and HQs.

Cobham's range of VIS includes ROVIS (AN/VIC-3), LV2 and the latest TacG2 (AN/VIC-5) providing clear, reliable communications in any combat environment

Cobham is the world's leading manufacturer of Vehicle Intercom Systems (VIS), with over 150,000 systems in service around the world.

Cobham has developed three modular intercom systems in order to provide a complete capability across a wide spectrum of platform types and functions, ranging from light vehicles to heavy armour and command centres.

- **ROVIS–LV2** – Primarily targeted at light wheeled vehicles such as MRAP, HMMWV and Military Trucks where space is at a premium. The LV2 system provides a battle-proven, rugged and simple to use basic all-informed digital intercom for up to 10 crew and/or 6 radios.
- **ROVIS (AN/VIC-3)** – Designed for more complex tracked vehicles such as MBTs, IFVs and APCs where differing levels of crew access to individual radios, greater individual operator control and built-in-test are key features. ROVIS provides a battle-proven, rugged and simple to program digital intercom for up-to 6 crew and 6 radios.
- **TacG2 (AN/VIC-5)** - Reflecting the increased emphasis users are placing on IP connectivity and VoIP integration, Cobham's new software defined VIS, known as the TacG2 system, provides significantly increased capability and functionality for up to 20 crew and 16 radios.

Cobham's modular concept for intercom systems enables additional functionality and/or capability to be introduced to existing in-service systems through the replacement or addition of new units, without the need for full system replacement. The interoperability across the range of Cobham's VIS, includes ROVIS (AN/VIC-3), LV2 and TacG2 (AN/VIC-5) systems.

Customers with ROVIS (AN/VIC-3)/LV2 can upgrade to TacG2 (AN/VIC-5) through module insertion

TacG2

Cobham has built a reputation second to none on the reliability and quality of its VIS products. These solid foundations have been used to create a next generation system, the TacG2 VIS. TacG2 retains the base features of our ROVIS (AN/VIC-3), LV2 family of products:

- Advanced TDMA architecture
- Ring architecture
- Distributed processing and conferencing
- No master controller
- No single point of failure
- Protected power supplies

and creates a system which uses the same:

- Form factor
- Cable assemblies
- Mounting points

to create a truly backwards compatible system.

The TacG2 system provides new key system features:

- 20 Users / 16 Radios
- IP connectivity & transport
- Command Villaging
- Selective (Private/Conference) calling
- VoIP calling
- CNR remote control
- NVG-compatible displays operating from -40C to +71C
- High reliability
- Reduced box count and small footprint options for light vehicles
- Automatic detection of Binaural (Split-Phone) / Monaural headsets upon connection.



With remote control of radios and distributed connectivity throughout the system, TacG2 provides a flexible solution for all requirements.



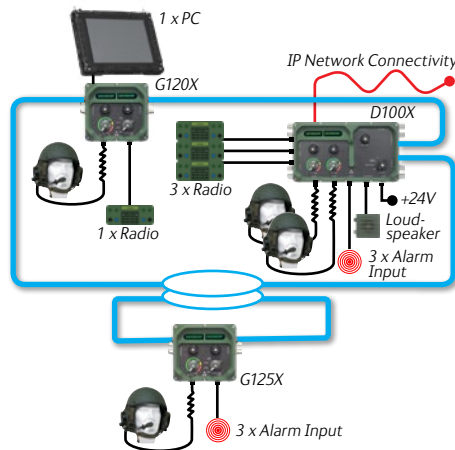
- Backwards compatibility (with ROVIS(AN/VIC & LV2))
- High reliability

- Ease-of-Use
- CNR remote control

- IP connectivity
- Selective calling

The Choice of Professionals

The ring architecture of Cobham's VIS systems is unique and provides dual paths for both signal data and power. With dual redundancy in-built into the system, extra reliability is provided in the unlikely event of electronic or battle damage.



Architecture

The system diagram shows the flexibility of TacG2. The configuration is for:

- Standard four-crew vehicle
- Four radios
- Turret and chassis alarm inputs
- Loudspeaker connection
- Interface for PC
- IP connection to external network or other TacG2 equipped vehicle



Tactical Gateway Station

Key features of the TGS include:

- Programming of all system parameters
- Two Advanced Crew Stations embedded within unit
- Three radio ports with RS232 data
- Ethernet Connection / IP Network Gateway
- Can use an Embedded or External SIP server for VoIP
- Inter-vehicle connectivity
- Centralised protected power supplies
- BIT and fault monitoring
- Software upgradeable in the field or remotely over IP
- 3 Alarm inputs
- Loudspeaker output
- NVG compatible Displays



Advanced Crew Stations

TacG2 Advanced and Enhanced Crew Stations are available in both single, or dual user variants. Key features are:

- Ethernet / RS232 connection for
 - Data transfer
 - SIP phone
 - PC etc...
- NVG compatible Displays
- Selective calling
- Live / Vox / PTT selection
- Noise-tracking Vox
- Selection of Work / Monitor radio

Radio Interface Terminal G2

The RITG provides two radio ports with RS232 data for radio remote control



TacG2 at a glance

	Display	Crew Access		CNR Interface			Ancillary Connections			
		1	2	1	2	3	Power	L/S	EU	Alarms
TGS (D100X)	✓		✓			✓	✓	✓		✓
ACS (G120X)	✓	✓		✓					✓	
ACS (G125X)		✓							✓	✓
DACS (G110X)	✓		✓						✓	



TGS (D100X).
Tactical Gateway Station.



ACS (G120X and G125X).
Advanced Crew Station.



DACS (G110X).
Dual Advanced Crew Station.



RIT (G300X).
Radio Interface Terminal.

Trusted Tactical Communications Over 150,000 Vehicle Intercom Systems Delivered



Cobham Antenna Systems

Fourth Avenue, Marlow, Buckinghamshire, United Kingdom, SL7 1TF
Chelton Limited trading as Cobham Antenna Systems

T: +44 (0)1268 472 072
cas.marketing@cobham.com

www.cobham.com/antennasystems