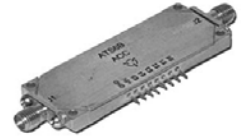


Standard Digital Attenuators

Description

Switched-bit PIN diode digital attenuators offer precision, reliability, and repeatability for the most demanding applications. The AT series digital attenuators are available in convenient binary 4-, 5-, and 6-bit configurations with 0.5dB resolution and up to 63dB total attenuation. The attenuators require only a single +5V DC power supply and feature TTL-compatible control logic.



Frequency Range (GHz)	Part Number	Type	Total Attenuation (dB)	LSB (dB)	MSB (dB)	Insertion Loss (Max dB)	VSWR (Max)
1 - 2	ATL4A	4-BIT	7.5	0.5	4	2.5	1.5
	ATL4B	4-BIT	15	1	8	2.5	1.5
	ATL4C	4-BIT	30	2	16	2.5	1.5
	ATL4D	4-BIT	60	4	32	2.5	1.5
	ATL5A	5-BIT	15.5	0.5	8	2.8	1.5
	ATL5B	5-BIT	31	1	16	2.8	1.5
	ATL5C	5-BIT	62	2	32	2.8	1.5
	ATL6A	6-BIT	31.5	0.5	16	3.3	1.6
	ATL6B	6-BIT	63	1	32	3.3	1.6
2 - 4	ATS4A	4-BIT	7.5	0.5	4	2.5	1.5
	ATS4B	4-BIT	15	1	8	2.5	1.5
	ATS4C	4-BIT	30	2	16	2.5	1.5
	ATS4D	4-BIT	60	4	32	2.5	1.5
	ATS5A	5-BIT	15.5	0.5	8	2.8	1.5
	ATS5B	5-BIT	31	1	16	2.8	1.5
	ATS5C	5-BIT	62	2	32	2.8	1.5
	ATS6A	6-BIT	31.5	0.5	16	3.3	1.6
	ATS6B	6-BIT	63	1	32	3.3	1.6
4 - 6	ATC4A	4-BIT	7.5	0.5	4	3.2	1.7
	ATC4B	4-BIT	15	1	8	3.2	1.7
	ATC4C	4-BIT	30	2	16	3.2	1.7
	ATC4D	4-BIT	60	4	32	3.2	1.7
	ATC5A	5-BIT	15.5	0.5	8	3.5	1.7
	ATC5B	5-BIT	31	1	16	3.5	1.8
	ATC5C	5-BIT	62	2	32	3.5	1.8
	ATC6A	6-BIT	31.5	0.5	16	4.0	2.0
	ATC6B	6-BIT	63	1	32	4.0	2.0

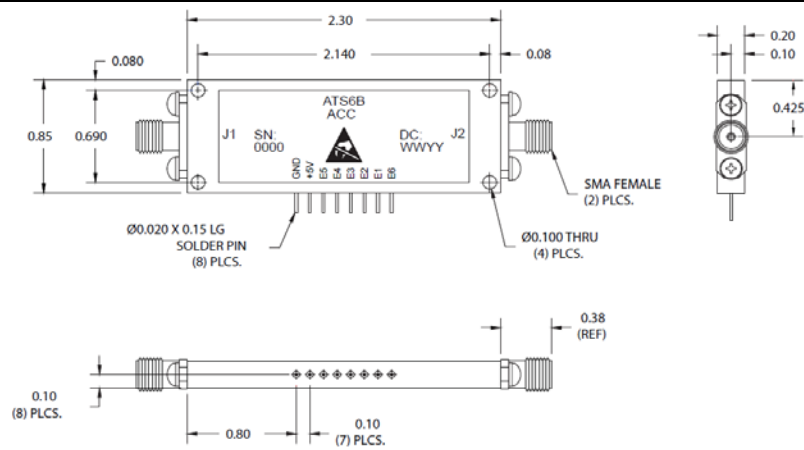
Cobham Microelectronic Solutions
 40 Industrial Way East
 Eatontown, NJ 07724

Tel: 732.460.0212
 Email: MES.Eatontown@cobham.com

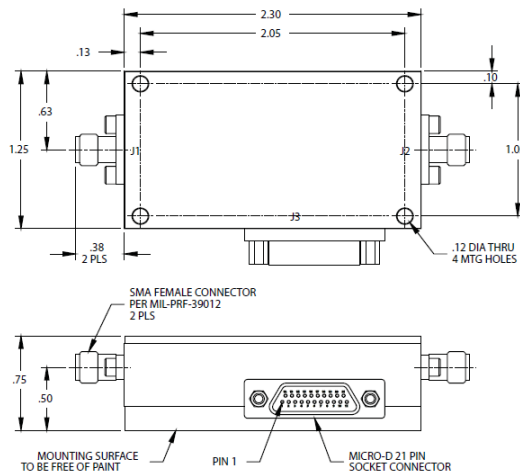
Control Logic Table

PIN	FUNCTION	PIN	FUNCTION
1	RETURN	12	N/C (b9*)
2	STROBE	13	N/C
3	b0	14	N/C
4	b1	15	+V
5	b2	16	RETURN
6	b3	17	-V
7	b4	18	N/C
8	b5	19	RETURN
9	b6	20	N/C
10	b7	21	N/C
11	N/C (b8*)	*Used on 10 bit option	

Outline Case Style AT



Outline Case Style GT-R502-X (Figure 1)



Outline Case Style GT-0206-X and GT-0618-X (Figure 2)

