

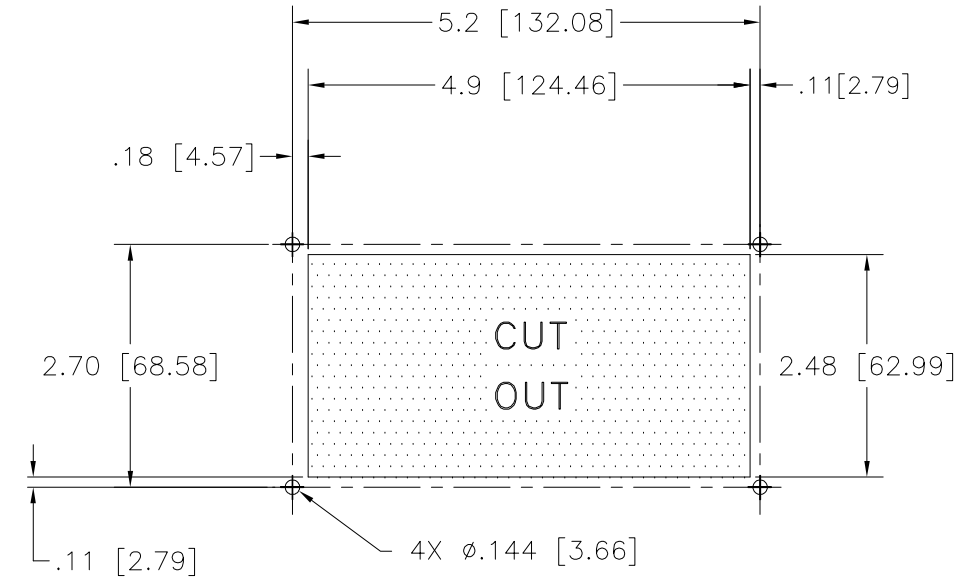
REVISION HISTORY				
REV	ECO#	DATE	DESCRIPTION	BY
A2	5900	10-29-07	ADDED NOTE 1	HT

MOUNTING HOLES

DRILL 4X ϕ .31 [8.00]
HOLES THRU
(5/16")


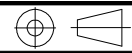
CABLE PASSAGE CUT OUT

ϕ 1.00 [25.40]



ANTENNA CONTROL PANEL

1 DEFAULT ORIENTATION IS DECAL FACING BOW. FOR ALTERNATE ORIENTATIONS ALIGN THE BOLT PATTERN SUCH THAT BOLT HOLES A AND B ARE ORIENTED TOWARD DESIRED DECAL DIRECTION.

UNLESS OTHERWISE SPECIFIED DIMENSIONS ARE IN INCHES. X.X = \pm .050 X.XX = \pm .020 X.XXX = \pm .005 ANGLES: \pm .5° INTERPRET TOLERANCING PER ASME Y14.5M - 1994	DRAWN BY: KRB		 4030 NELSON AVENUE CONCORD, CA 94520 Tel. 925-798-7979 Fax. 925-798-7986	
	DRAWN DATE: 02/07/07			
MATERIAL: NONE	APPROVED BY:		TITLE: INSTALLATION TEMPLATE, COASTAL 14	
FINISH: NONE	APPROVED DATE:	SIZE: B	SCALE: 1:1	DRAWING NUMBER: 126355
FIRST USED: COASTAL 14		REV: A2		
3rd ANGLE PROJECTION 			SHEET NUMBER: 1 OF 1	

**MOUNTING TEMPLATE FOR
16.5" RADOME**

BOW (REF)
(EXACT ALIGNMENT NOT CRITICAL)

