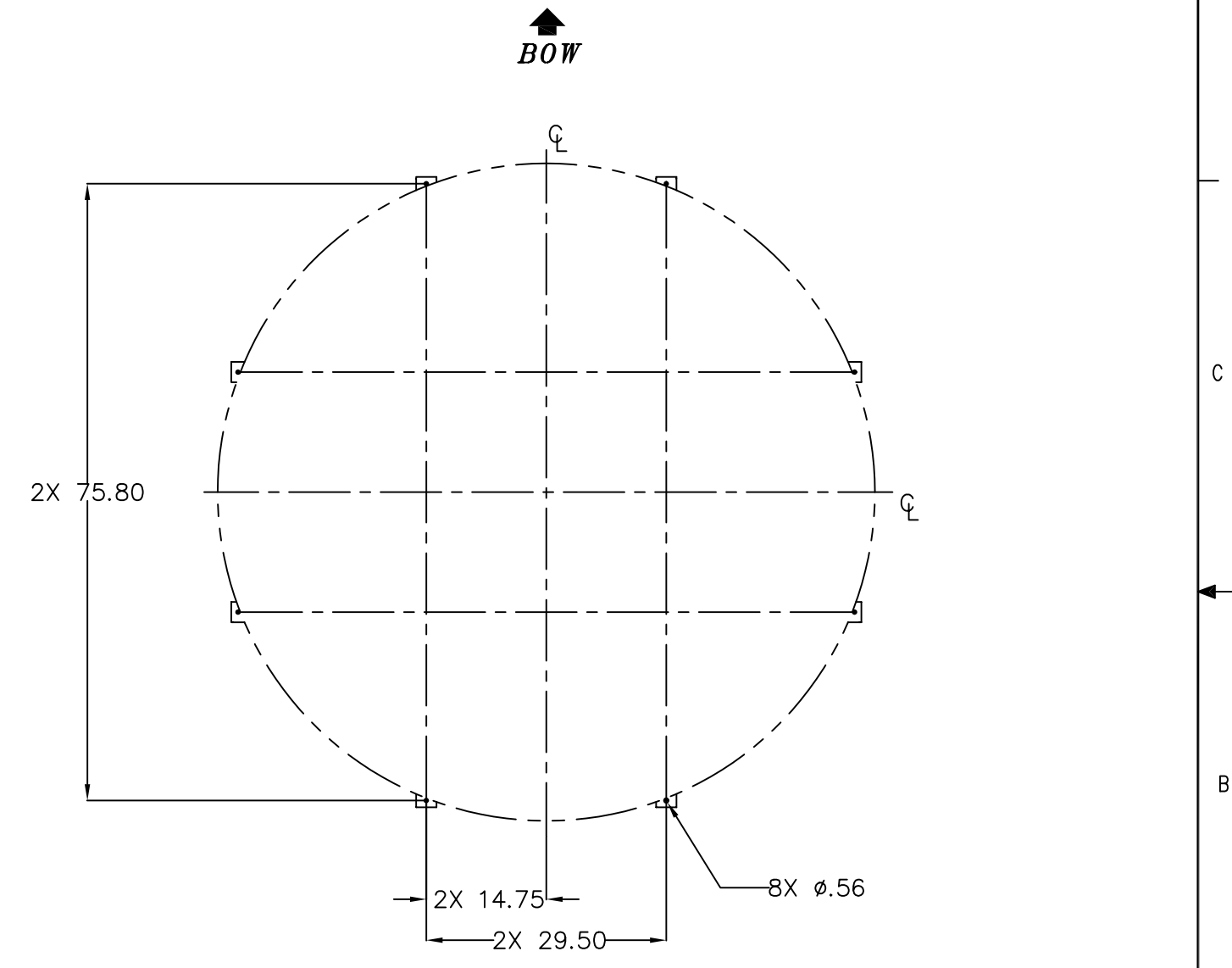
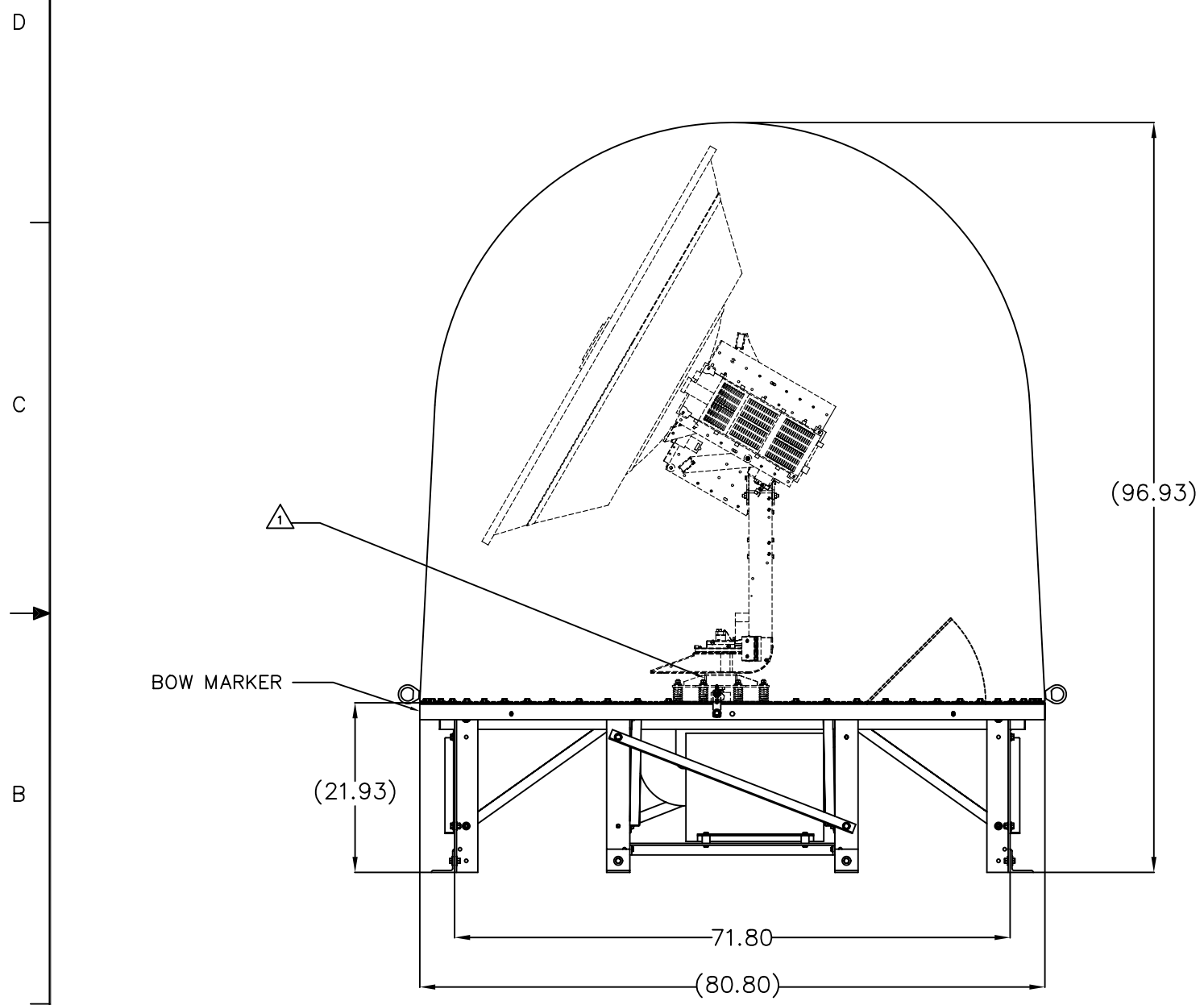

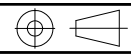


NOTES: UNLESS OTHERWISE SPECIFIED
 ⚠ 'BOW' WILL BE INDICATED ON SYSTEM. TO VERIFY, CHECK THAT THE LOWER AZ STOP PIN ON THE GA IS BOW SIDE OF CENTERLINE.

REVISION HISTORY				
REV	ECO#	DATE	DESCRIPTION	BY
A	N/A	11-06-06	RELEASED TO PRODUCTION FROM REV. X1.	TP



MOUNTING HOLE PATTERN

TOLERANCES UNLESS OTHERWISE SPECIFIED		DRAWN BY: T PATEL		 4030 NELSON AVENUE CONCORD, CA 94520 Tel. 925-798-7979 Fax. 925-798-7986	
X.X = ±.050 X.XX = ±.020 X.XXX = ±.005 ANGLES: ±.5° INTERPRET TOLERANCING PER ASME Y14.5M - 1994		DRAWN DATE: 09-01-06			
MATERIAL: N/A		APPROVED BY:		TITLE: INSTALLATION ARRANGEMENT, 80.8 IN RADOME	
FINISH: N/A		APPROVED DATE:		DRAWING NUMBER: 125804	
3rd ANGLE PROJECTION 		SIZE: B	SCALE: NONE	FIRST USED: 6006	REV: A
				SHEET NUMBER: 1 OF 2	

