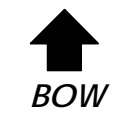
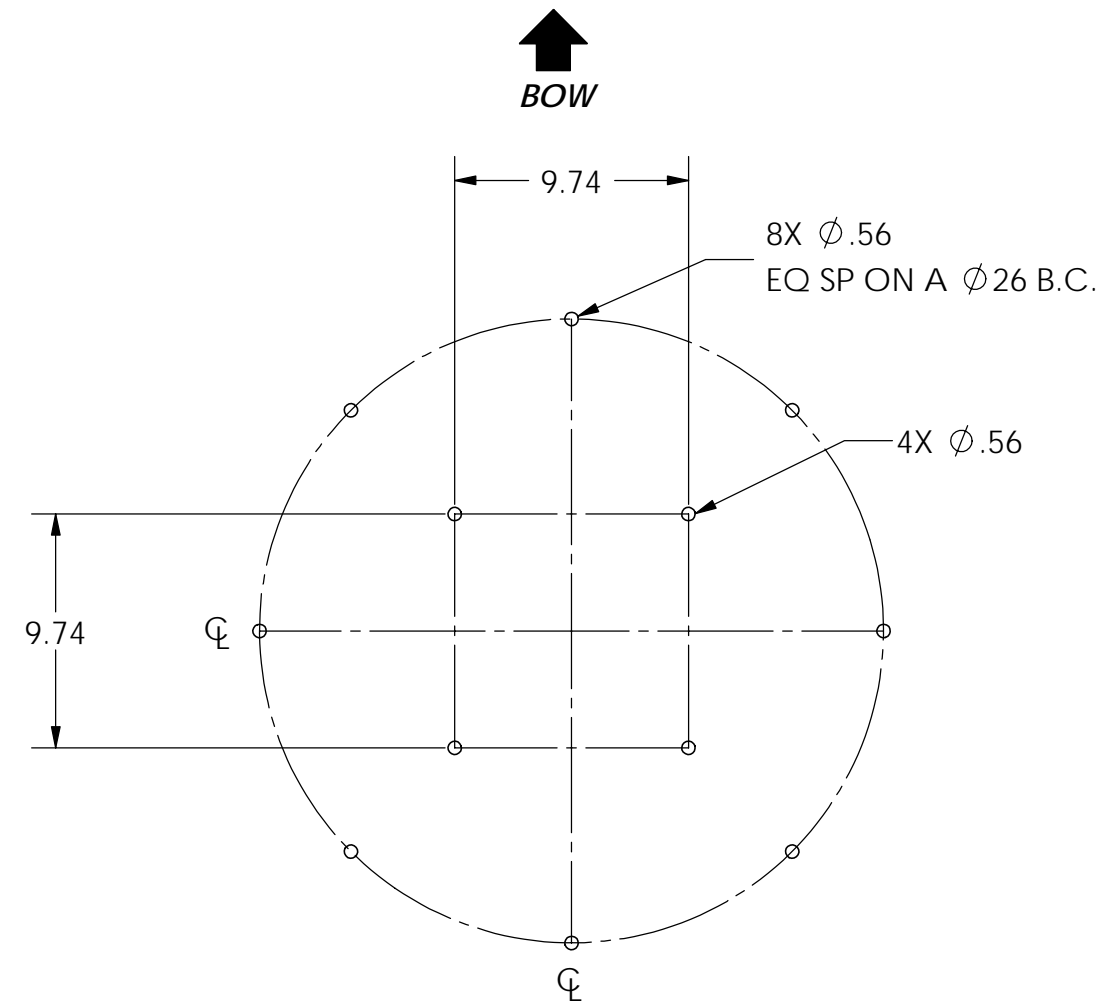
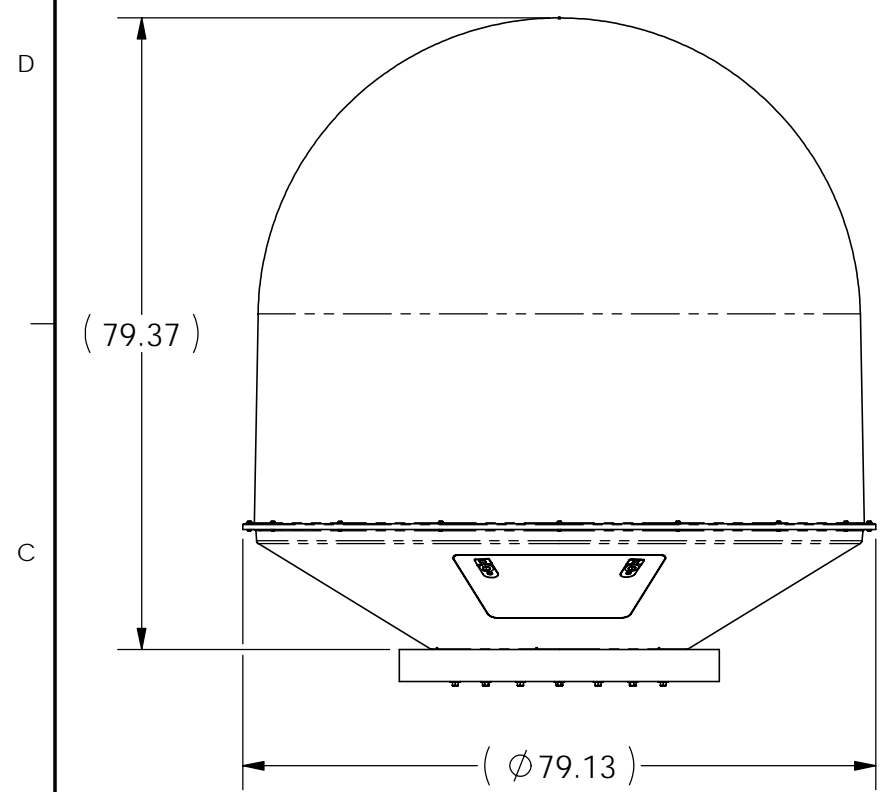


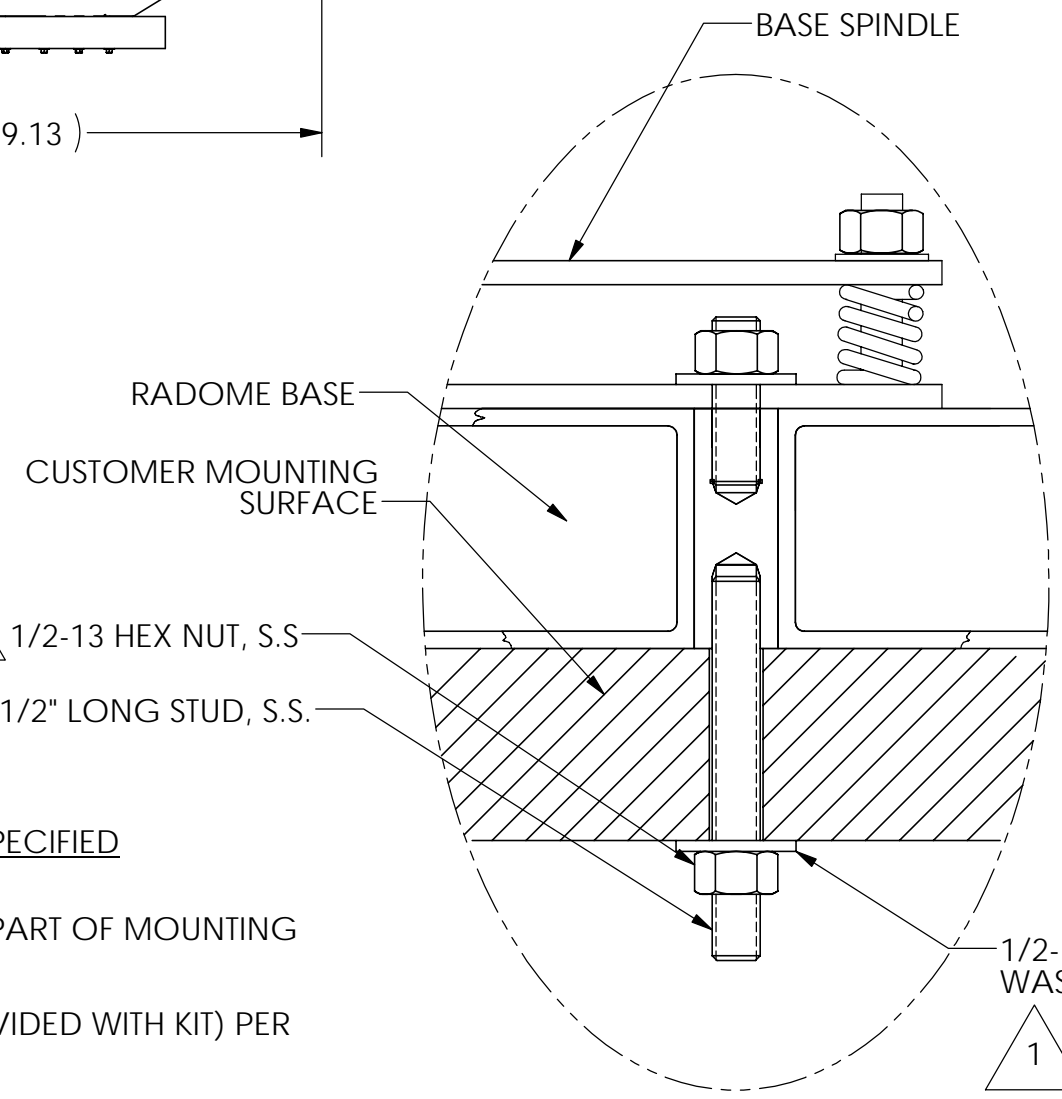
REVISION HISTORY				
REV	ECO#	DATE	DESCRIPTION	BY
A	N/A	1/5/06	PRODUCTION RELEASE, WAS X1	LAE



MOUNTING SURFACE HOLE PATTERN

ALL HOLES MUST BE USED TO MOUNT THE ABOVE DECKS EQUIPMENT TO THE SHIP.

REFERENCE DRAWINGS
125849-1 RADOME ASS'Y, 76"



- 1 1/2-13 HEX NUT, S.S.
- 1 1/2-13 UNC-2A X 2 1/2" LONG STUD, S.S.

NOTES: UNLESS OTHERWISE SPECIFIED

- 1 INDICATED ITEMS ARE PART OF MOUNTING KIT, P/N: 123549-2.
- 2 APPLY ADHESIVE (PROVIDED WITH KIT) PER SEATEL SPEC 121720

UNLESS OTHERWISE SPECIFIED DIMENSIONS ARE IN INCHES. X.X = $\pm .050$ X.XX = $\pm .020$ X.XXX = $\pm .005$ ANGLES: $\pm .5^\circ$ INTERPRET TOLERANCING PER ASME Y14.5M - 1994	DRAWN BY: NESTOR G.		 4030 NELSON AVENUE CONCORD, CA 94520 Tel. 925-798-7979 Fax. 925-798-7986	
	DRAWN DATE: 08-14-06			
MATERIAL: N/A	APPROVED BY:		TITLE: INSTALLATION ARRANGEMENT, 76 IN RADOME	
FINISH: N/A	APPROVED DATE:	SIZE: B	SCALE: 1:4	DRAWING NUMBER: 125749
3rd ANGLE PROJECTION		FIRST USED: 6006	REV A	
			SHEET NUMBER 1 OF 1	