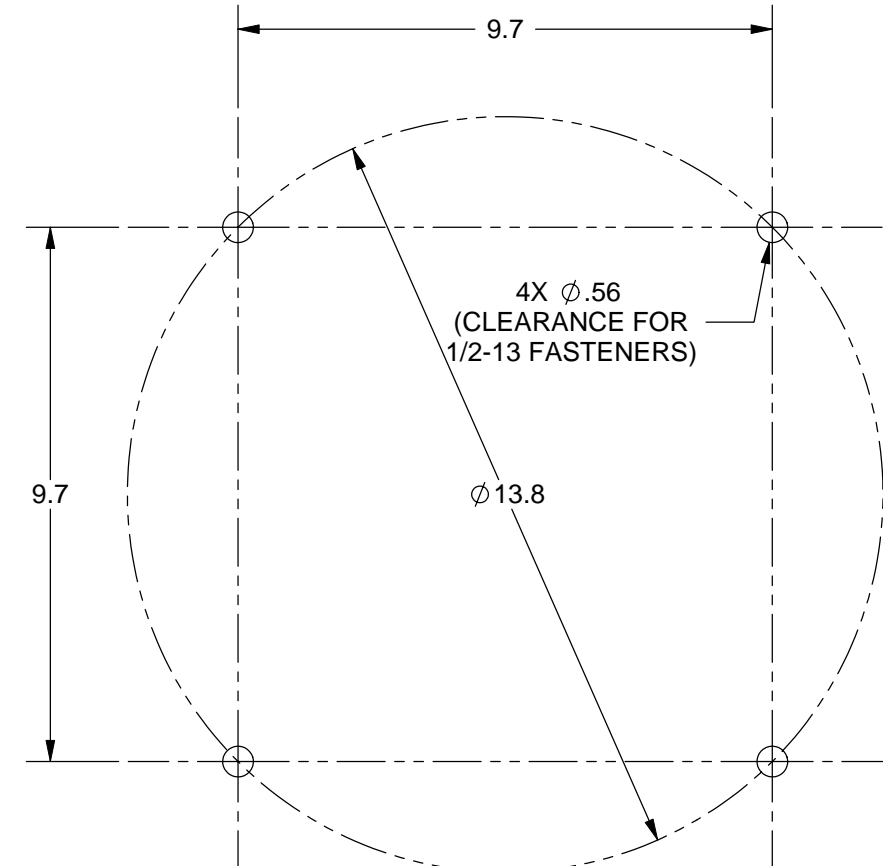
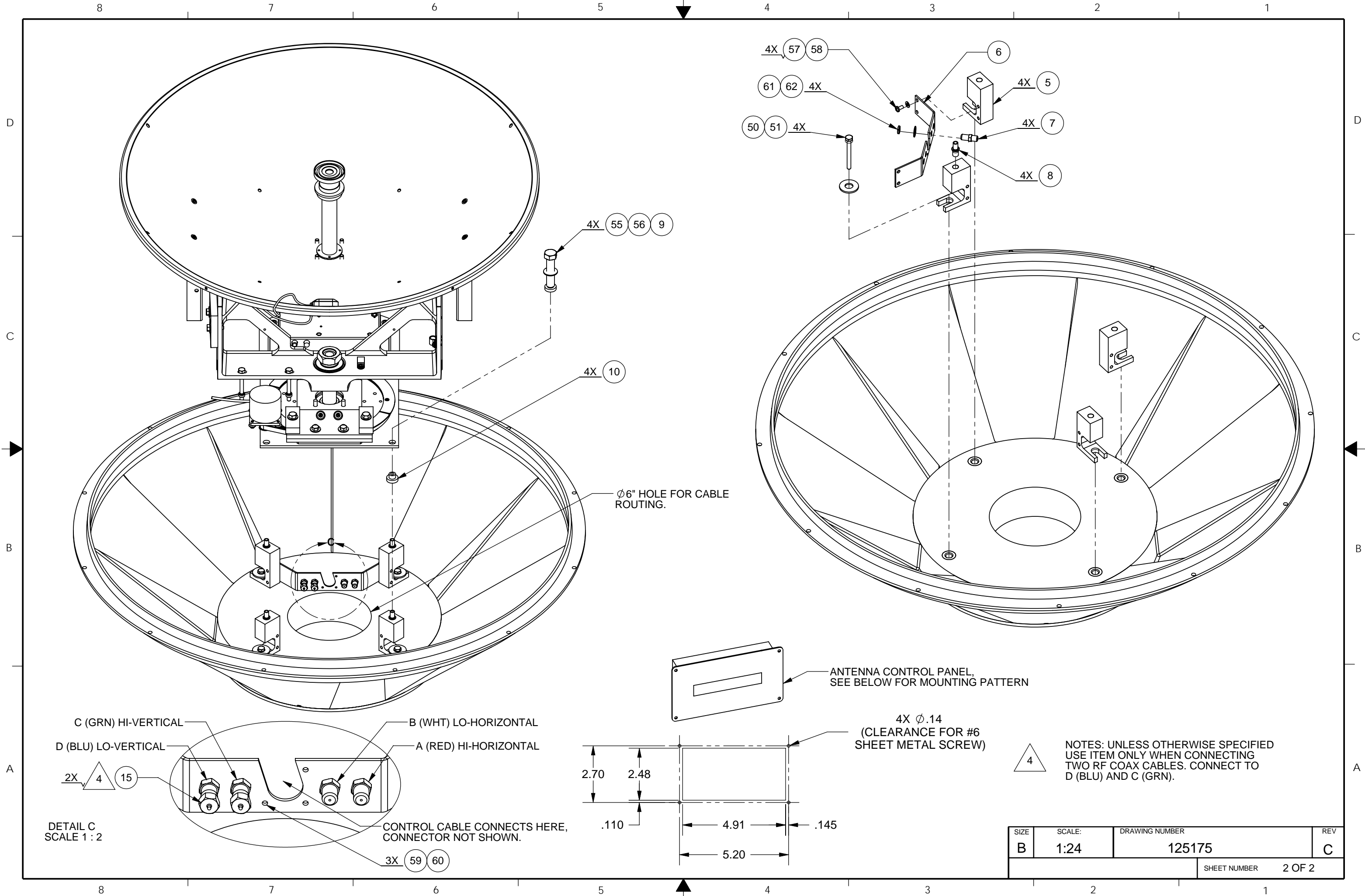


| REVISION HISTORY | | | | |
|------------------|------|----------|---|-----|
| REV | ECO# | DATE | DESCRIPTION | BY |
| A | 5823 | 09-26-07 | ITEM 2 WS 125177. RELEASE TO PRODUCTION. REV WS X4. | SL |
| B | 6243 | 5-30-08 | ITEM 61 P/N WAS 119952-031. | SMS |
| C | 6283 | 06-25-08 | REMOVE ITEM 11. | SL |



MOUNTING SURFACE PATTERN
NOT TO SCALE

| | | | | | |
|---|--|--|----------------|--|--|
| UNLESS OTHERWISE SPECIFIED DIMENSIONS ARE IN INCHES. X.X = ±.050 X.XX = ±.020 X.XXX = ±.005 ANGLES: ±.5° INTERPRET TOLERANCING PER ASME Y14.5M - 1994 | | DRAWN BY: K.D.H. DRAWN DATE: 03-14-06 APPROVED BY: | | 4030 NELSON AVENUE CONCORD, CA 94520 Tel. 925-798-7979 Fax. 925-798-7986 | |
| MATERIAL: N/A | | APPROVED DATE: | | | |
| FINISH: N/A | | SIZE: B | SCALE: 1:12 | DRAWING NUMBER 125175 | |
| FIRST USED: COASTAL 30 | | | | REV C | |
| 3rd ANGLE PROJECTION | | | | SHEET NUMBER 1 OF 2 | |



| | | | |
|--------------|--------|----------------|-----|
| SIZE | SCALE: | DRAWING NUMBER | REV |
| B | 1:24 | 125175 | C |
| SHEET NUMBER | | 2 OF 2 | |