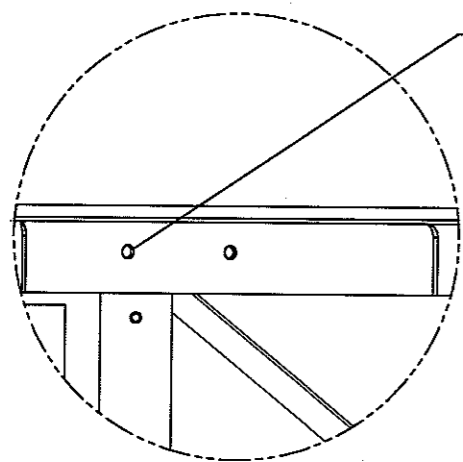


NOTES: (UNLESS OTHERWISE SPECIFIED)

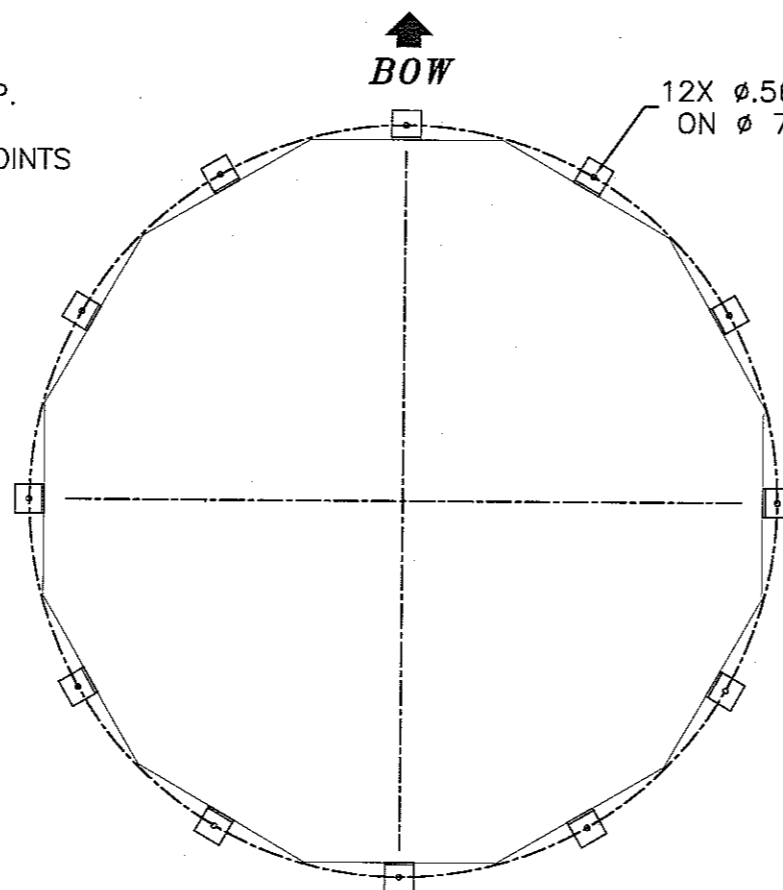
1. ALL WEIGHTS GIVEN ARE FOR INFORMATION ONLY. DO NOT USE FOR DESIGN. REFER TO 121910.
2. SEATEL DOES NOT PROVIDE LIFTING HARDWARE OR STRAPS.

REVISION HISTORY				
REV	ECO#	DATE	DESCRIPTION	BY
B1	N/A	11-1-05	SHT. 2: TABLE 1 MODEL 9797A-50 WEIGHT WS 720; MODEL 9797A-59, 56, 66, 62 & 8797A-29 WEIGHT ADDED	MSF
B2	N/A	7-14-09	DIM 8X (Ø.69) EQ. SP. WAS 8X (Ø.56) EQ. SP.	MSF

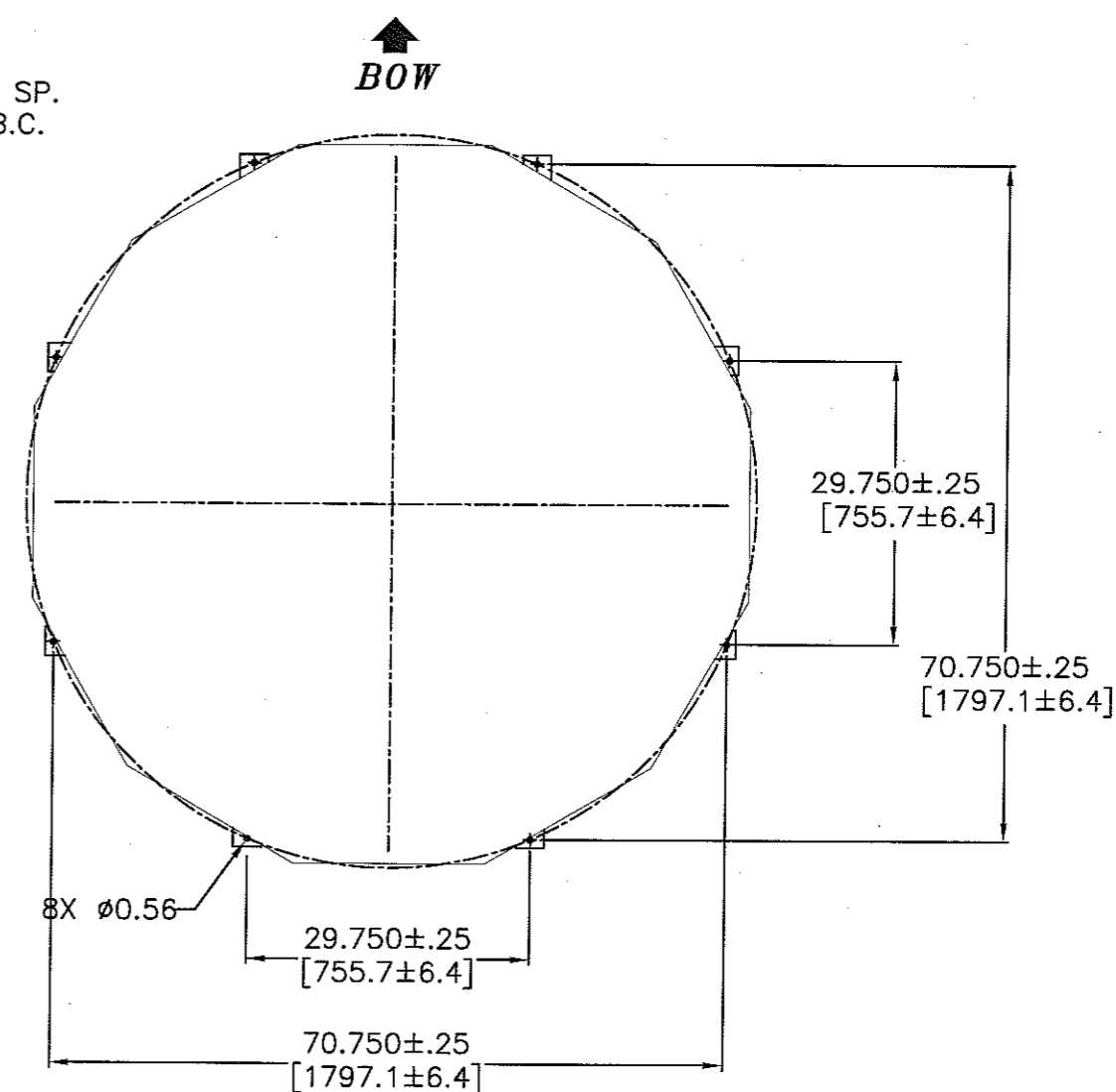


DETAIL A

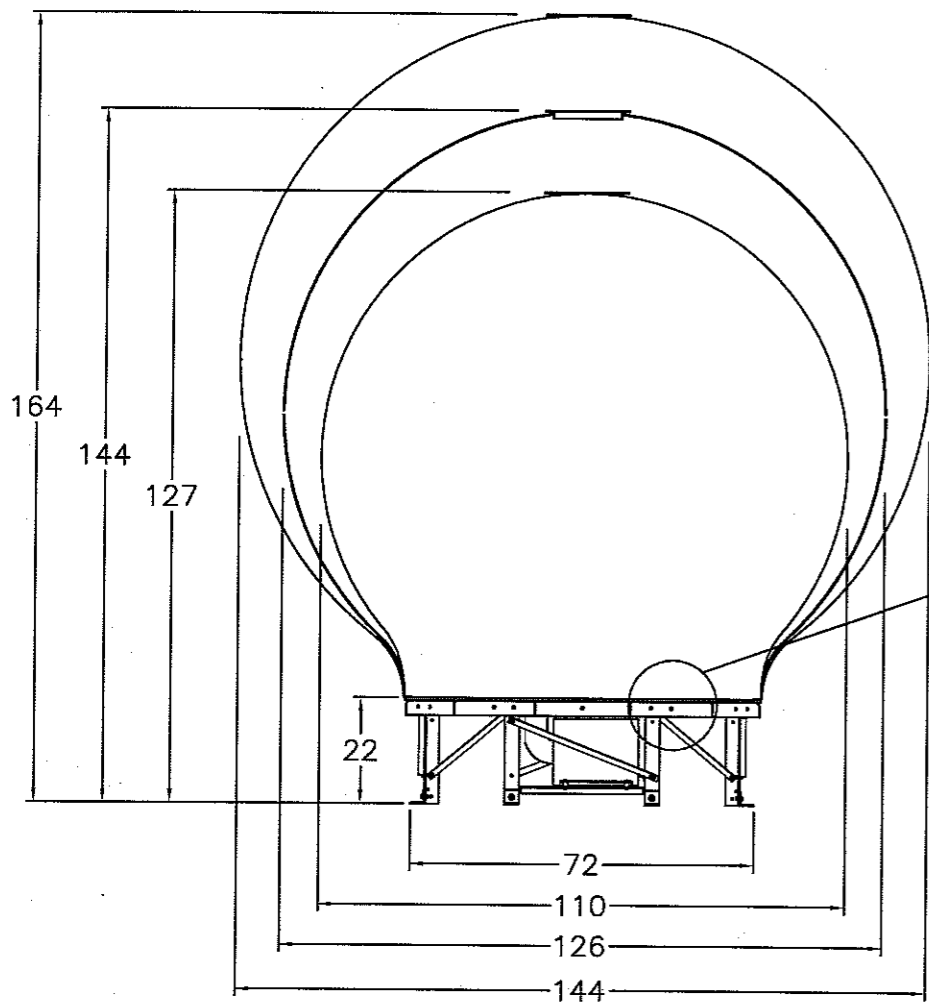
SCALE: NONE



FLUSH MOUNT RADOME MOUNTING HOLE PATTERN



MOUNTING HOLE PATTERN W/LEGS



SCALE: NONE

SEE DETAIL A

UNLESS OTHERWISE SPECIFIED DIMENSIONS ARE IN INCHES. X.X = ±.050 X.XX = ±.020 X.XXX = ±.005 ANGLES: ±.5°	DRAWN BY: SCC		 Tel. 925-798-7979 Fax. 925-798-7986	
	DRAWN DATE: 01-03-05			
INTERPRET TOLERANCING PER ASME Y14.5M - 1994	APPROVED BY: 		TITLE: INSTALLATION ARRANGEMENT	
	APPROVED DATE: 07/14/09		DRAWING NUMBER: 123908	
FINISH:	SIZE: B	SCALE: 1:20	REV: B2	
FIRST USED: XX97A			SHEET NUMBER: 1 OF 2	

TABLE 1: GENERAL ASSEMBLY WEIGHT

ITEM DESCRIPTION	NET* WEIGHT (LB.)
9797A-09	455
9797A-11	565
9797A-21	555
9797A-27	575
9797A-32	625
9797A-38	615
9797A-40	545
9797A-43 (Dual C-Band)	720
9797A-45	545
9797A-46	625
9797A-49	485
9797A-50	565
9797A-51	685
9797A-53	695
9797A-59	545
12097A-2	585
9797A-56	565
8797A-29	645
9797A-66	555
9797A-62	685

*NET WEIGHT EXCLUDES SHIPPING PALLET
WEIGHT OF APPROX. 25 LB.

TABLE 2: BASE ASSEMBLY WEIGHT

ITEM DESCRIPTION	WEIGHT (Lb.) **
BASE ASSEMBLY: STEEL BASE, 21" LEGS	309
BASE ASSEMBLY: AL BASE, 21" LEGS	-
BASE ASSEMBLY: STEEL BASE, FLUSH MOUNT	-
BASE ASSEMBLY: AL BASE, FLUSH MOUNT	-

**ADD 100lbs FOR AIR CONDITIONER ASSEMBLY.

TABLE 3: RADOME ASSEMBLY WEIGHT

ITEM DESCRIPTION	WEIGHT (Lb.) ***
RADOME ASSEMBLY: 110" (DRY WEIGHT)	TBD
RADOME ASSEMBLY: 126" (DRY WEIGHT)	TBD
RADOME ASSEMBLY: 144" (DRY WEIGHT)	TBD

***WEIGHT GIVEN IS APPROXIMATE DRY WEIGHT. RADOME PANELS
CAN ABSORB UP TO 50% MOISTURE BY WEIGHT.

SIZE B	SCALE:	DRAWING NUMBER: 123908	REV: B2
		SHEET NUMBER:	2 OF 2