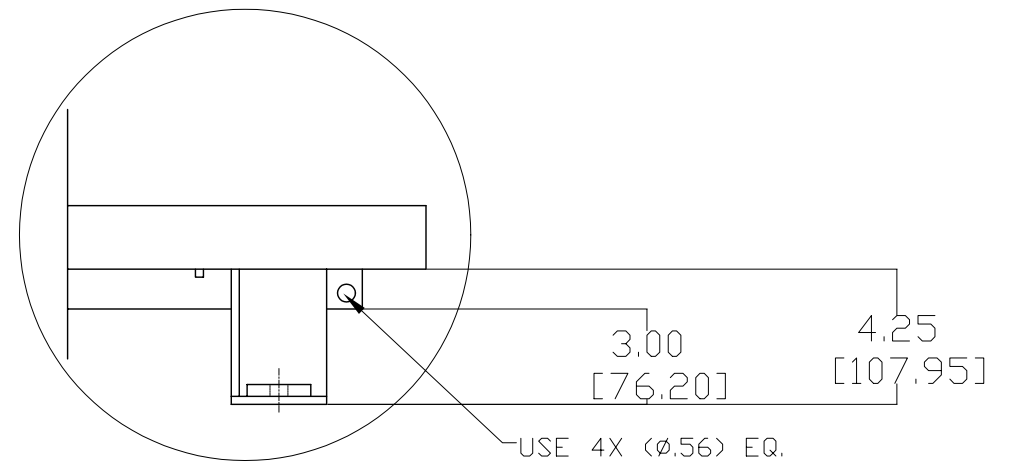
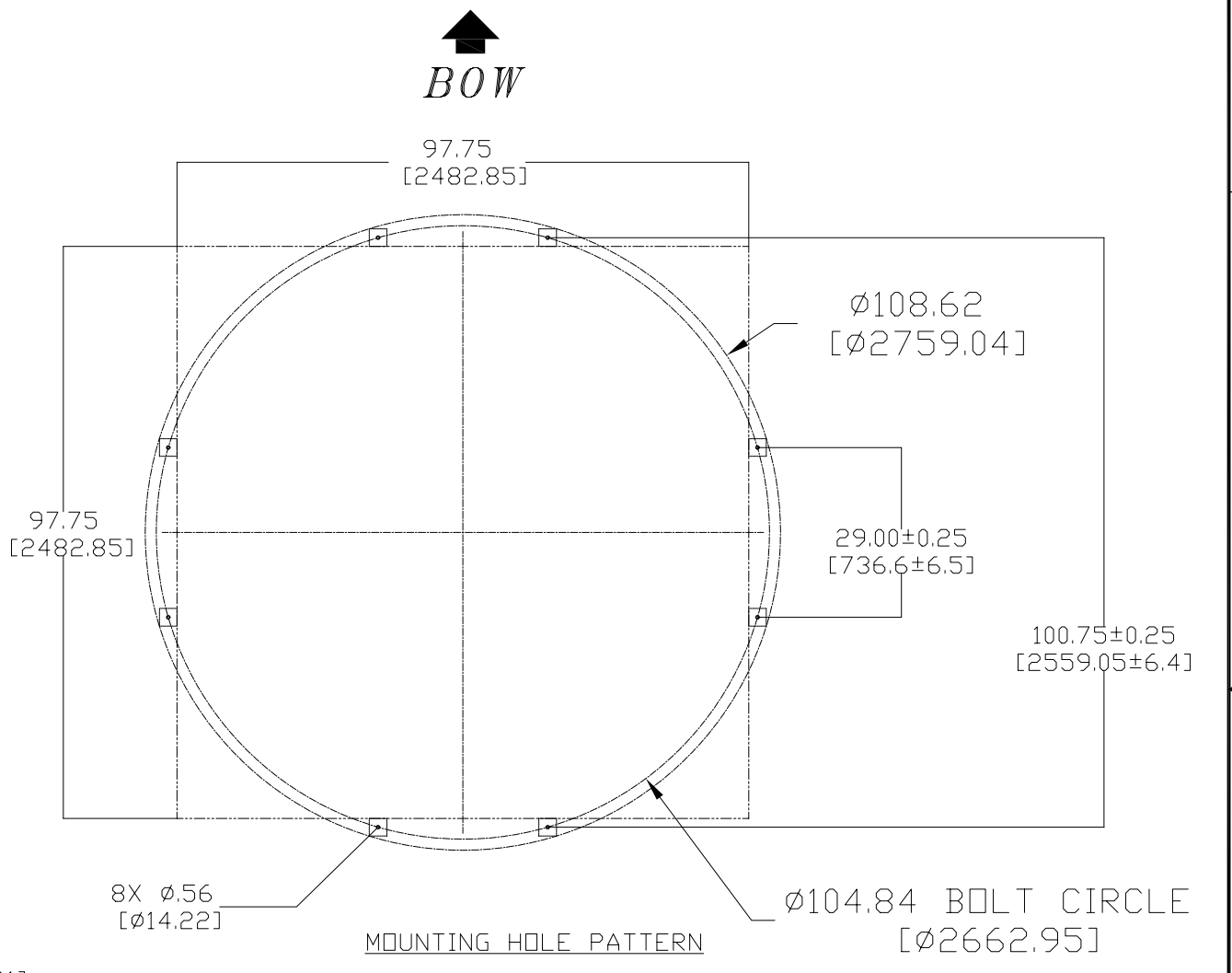
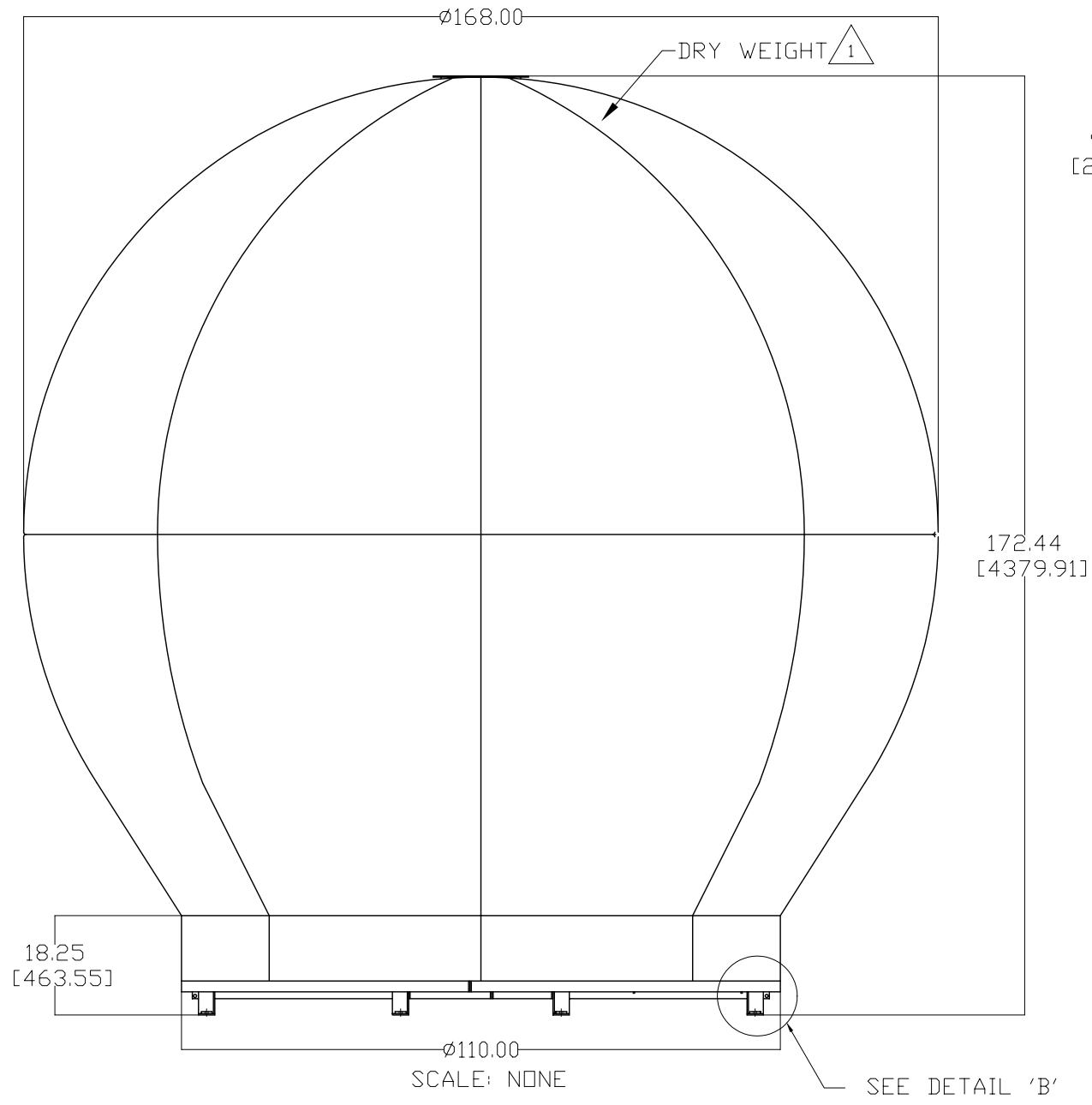


REVISION HISTORY				
REV	ECC#	DATE	DESCRIPTION	BY
A1	N/A	09-22-04	SHT2; ADDED WEIGHTS, A/C WS 116908-4	AMN
A2	N/A	3-7-08	ADDED MISSING DIMENSIONS	KDH



DETAIL A  
SCALE: 5X



NOTES: (UNLESS OTHERWISE SPECIFIED)

1 FIBERGLASS MAY ABSORB UP TO 50% BY WEIGHT, OF MOISTURE.

UNLESS OTHERWISE SPECIFIED DIMENSIONS ARE IN INCHES. X.X = ±.050 X.XX = ±.020 X.XXX = ±.005 ANGLES: ±.5°	DRAWN BY: LK	 4030 NELSON AVENUE CONCORD, CA 94520 Tel. 925-798-7979 Fax. 925-798-7986
	DRAWN DATE: 7-28-04	
INTERPRET TOLERANCING PER ASME Y14.5M - 1994	APPROVED BY:	TITLE: INSTALLATION ARRANGEMENT
MATERIAL: N/A	APPROVED DATE:	DRAWING NUMBER: 123381
FINISH: N/A	SIZE: C	SCALE: 1:20
3rd ANGLE PROJECTION	FIRST USED:	SHEET NUMBER: 1 OF 2
		REV: A2

TABLE 1: GENERAL ASSEMBLY WEIGHT

ITEM DESCRIPTION	NET WEIGHT (LB.)
14400-2	855
14400-4	855
14600-11	1255

TABLE 2: BASE ASSEMBLY WEIGHT

ITEM DESCRIPTION	WEIGHT (Lb.)
BASE ASSEMBLY: P/N115912-1 (STEEL BASE, 6 IN FOOT)	---
BASE ASSEMBLY: P/N119569 (21 IN LEGS)	-

TABLE 3: RADOME ASSEMBLY WEIGHT

ITEM DESCRIPTION	WEIGHT (Lb.)
RADOME ASSEMBLY: P/N 111849 (DRY WEIGHT)	TBD
	TBD

TABLE 4: A/C WEIGHT

ITEM DESCRIPTION	WEIGHT (Lb.)
AIR COOLED ENVIRONMENT UNIT: P/N 123496	95

SIZE B	SCALE: 1:20	DRAWING NUMBER: 123381	REV: A2
SHEET NUMBER:			2 OF 2