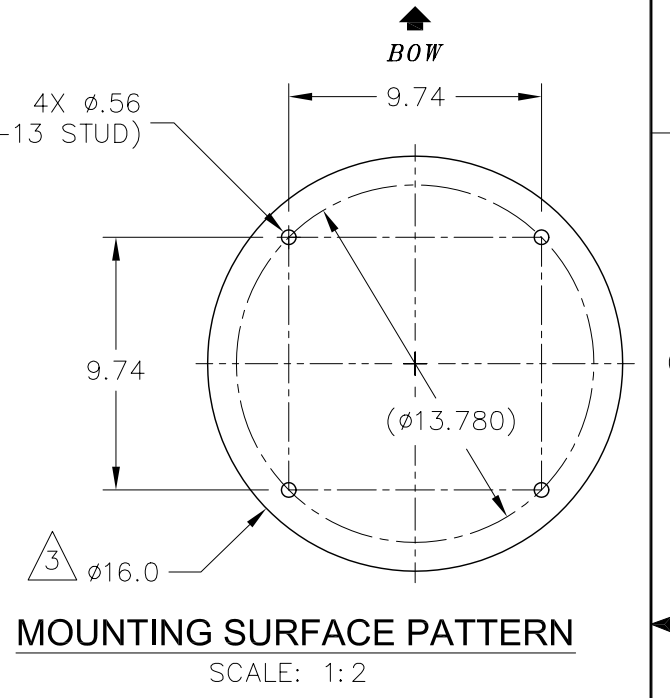
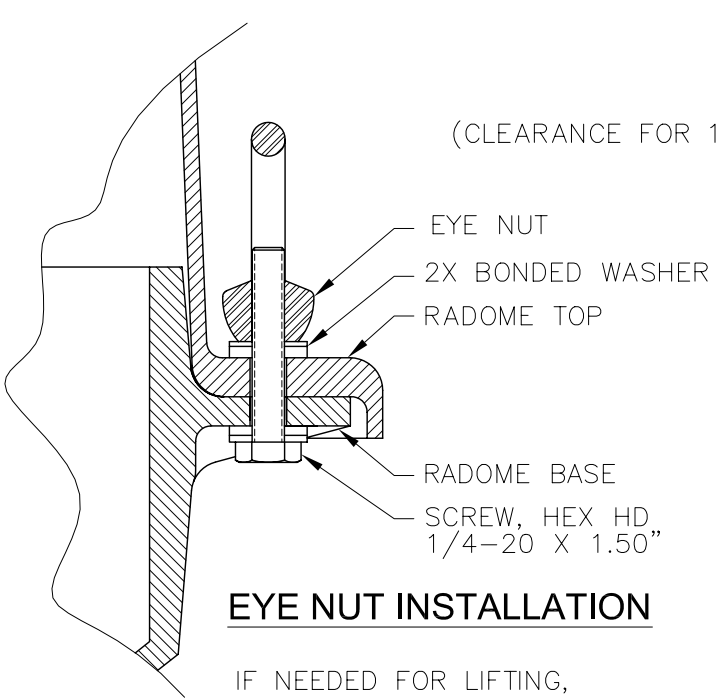


REVISION HISTORY				
REV	ECO#	DATE	DESCRIPTION	BY
B1	N/A	4-25-05	CHANGED MOUNTING KIT P/N FROM 118569 TO 123549 ON NOTES 2 & 3.	AEF
B2	N/A	6-1-05	DIMENSIONS VERIFIED AND CORRECTED TO CURRENT BUILD.	L.R.
B3	N/A	11/18/05	DETAIL FOR EYE NUT INSTALL. REDRAWN TO SHOW MORE REDOME REFERENCE OUTLINE.	AEF
B4	N/A	9-8-06	ADD 50 INCH READOME. NOTE "LOCATE HATCH & CABLE GROMMETS DIRCTLY AFT	SL
"	"	"	(EXCEPT 34") " WS "LOCATE HATCH (48"& 60" ONLY) & CABLE GROMMETS DIRECTLY AFT."	SL



- NOTES: UNLESS OTHERWISE SPECIFIED
- 1 INDICATED ITEMS ARE PART OF MOUNTING KIT P/N: 123549
  - 2 APPLY ADHESIVE PER SEATEL SPEC. 121730. LOCTITE 271 (RED) PROVIDED WITH MOUNTING KIT, P/N 123549
  - 3 MINIMUM DIAMETER OF MAST MOUNTNG PLATE EQUAL TO RADOME BASE DIAMETER.
- REFERENCE DRAWINGS
- 122356 RADOME ASS'Y, 60"
  - 122353 RADOME ASS'Y, 48"
  - 122350 RADOME ASS'Y, 40"
  - 122326 RADOME ASS'Y, 34"

TOLERANCES UNLESS OTHERWISE SPECIFIED	DRAWN BY: P. McCANN		 4030 NELSON AVENUE CONCORD, CA 94520 Tel. 925-798-7979 Fax. 925-798-7986	
	DRAWN DATE: 3-4-04			
MATERIAL: --	APPROVED BY:		TITLE: RADOME INSTALLATION	
	APPROVED DATE:		ARRANGEMENT	
FINISH: --	SIZE: B	SCALE: 1/15	DRAWING NUMBER: 122663	REV: B4
3rd ANGLE PROJECTION			FIRST USED: --	SHEET NUMBER: 1 of 1