

4

3

2

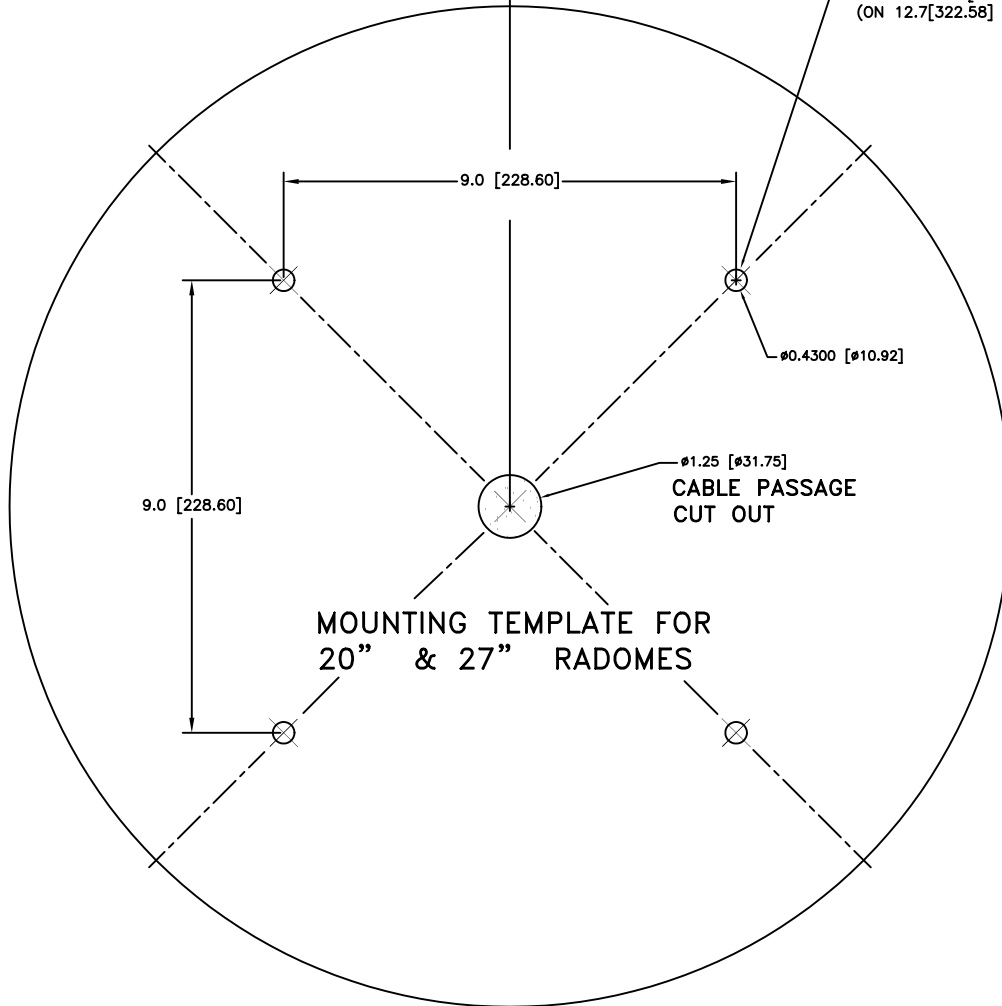
1

REVISION HISTORY					
REV	ECO#	DATE	DESCRIPTION	BY	
C2	5782	8-13-07	REMOVED 18" FROM THE TITLE.	SL	
C3	N/A	8-01-08	SHEET SIZE WAS "B"	K.D.H.	
C4	N/A	01-18-08	RELAYOUT DWG FORMAT, ROTATE "MOUNTING PLATE VIEW" 45 DEGREE CW.	HT	

**BOW**  
(REF)  
(EXACT ALIGNMENT  
NOT CRITICAL)

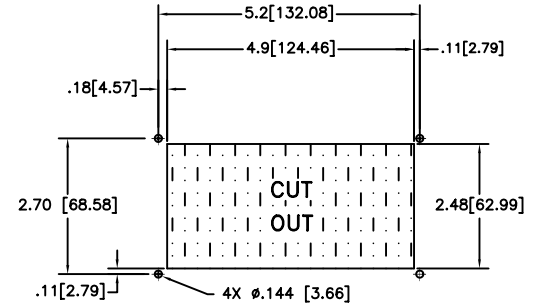


DRILL 4x  $\phi$ .43[10.92] THRU  
(ON 12.7[322.58] D.B.C.)



$\phi$ 1.25 [ $\phi$ 31.75]  
CABLE PASSAGE  
CUT OUT

MOUNTING TEMPLATE FOR  
20" & 27" RADOMES



ANTENNA  
CONTROL  
PANEL

UNLESS OTHERWISE SPECIFIED DIMENSIONS ARE IN INCHES. X.X = $\pm$ .050 X.XX = $\pm$ .020 X.XXX = $\pm$ .005 ANGLES: $\pm$ .5° INTERPRET TOLERANCING PER ASME Y14.5M - 1994 MATERIAL:	DRAWN BY: MBD	 Tel. 925-798-7979 Fax. 925-798-7986 <b>INSTALLATION TEMPLATE, 20 &amp; 27 RADOME</b>
	DRAWN DATE: 10-22-99	
	APPROVED BY:	TITLE:
	APPROVED DATE:	DRAWING NUMBER: 118092
FINISH:	SIZE: E	SCALE: 1:1
	FIRST USED: XX98, COASTAL, 20EL	SHEET NUMBER: 1 OF 1

