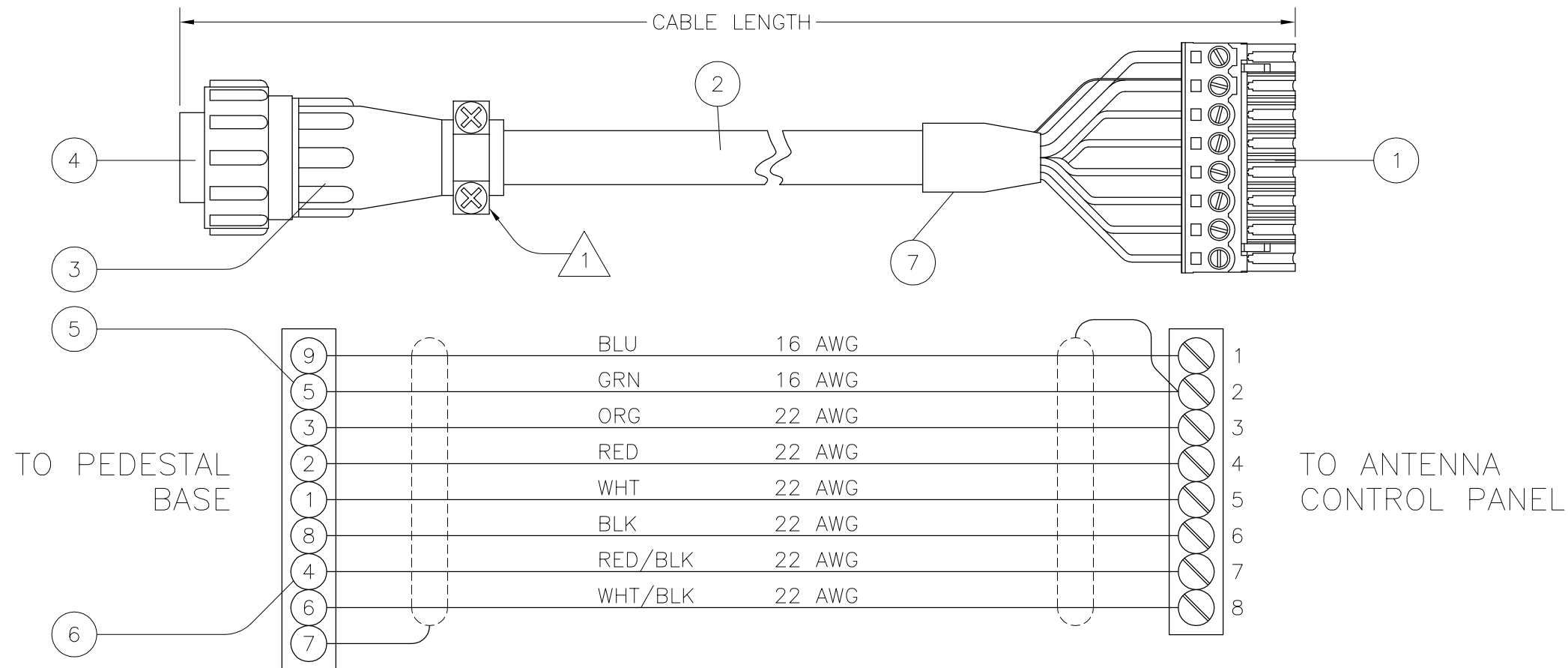


REV.	ECO#	DATE	DESCRIPTION	BY
C2	N/A	7-20-05	ITEM 7 ADDED	MSF



Dash No.	Cable Length
-1	35 ft.
-2	50 ft.
-3	75 ft.
-4	100 ft.
-5	150 ft.
-6	185 ft.
-7	20 ft.

ITEM	QTY	SEA TEL PART NO.	DRW SZ	DESCRIPTION	VALUE	REFERENCE/NOTES
1	1	117209-8	A	CONNECTOR, PLUG $\phi$ .2 LS	8-PIN	NEWARK #84F463
2	1	117231	A	CONTROL CABLE, CUSTOM	4 PAIR	
3	1	108926-16	A	CABLE CLAMP	SZ 13	AMP #206966-1
4	1	108926-15	A	CONNECTOR, CPC	9-PIN	AMP #206708-1
5	2	109294-10	A	AMP CONTACT(SOCKET)	18-16 AWG	AMP #66099-4
6	7	109294-6	A	AMP CONTACT(SOCKET)	24-20 AWG	AMP #66105-4
7	1	120117-070	A	HEAT SHRINK, 3/8 DIA, BLK, SUMITUBE B2	1.5"	

NOTES:  
1. INSTALL CABLE CLAMP AT POSITION 2.

<b>TOLERANCES</b> UNLESS OTHERWISE SPECIFIED			
X.X = $\pm .050''$	SCALE: FULL	APPROVED BY:	DRAWN BY: AEF
X.XX = $\pm .020''$	DATE: 12-02-98		DRAWING SIZE: B
X.XXX = $\pm .005''$	<b>SHIELDED CONTROL CABLE ASSEMBLY</b>		
ANGLES = $\pm 30'$	MODEL: 1898	SHEET: 1 OF 1	DRAWING NUMBER: 117230
3rd ANGLE PROJECTION			REVISION: C2