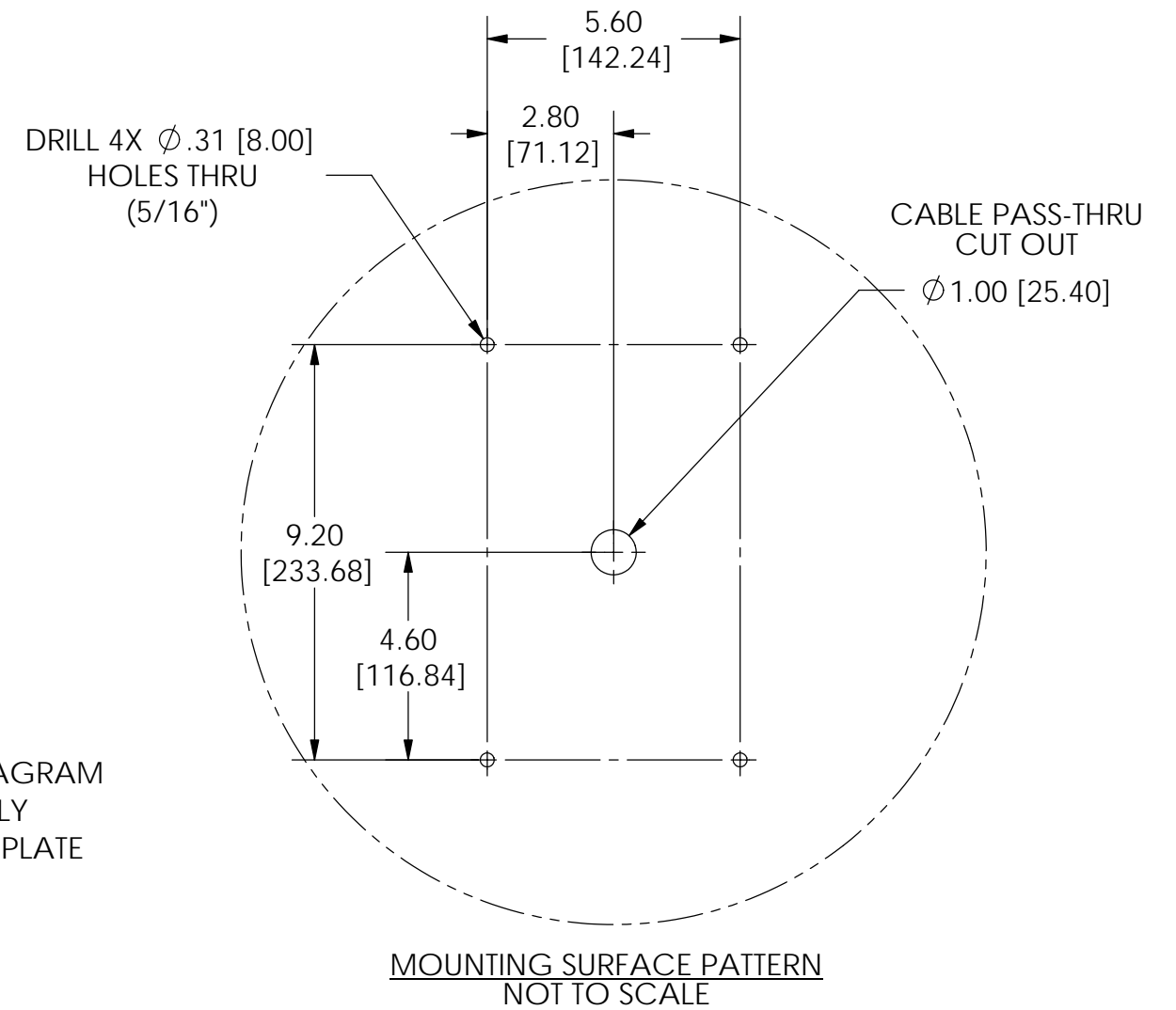
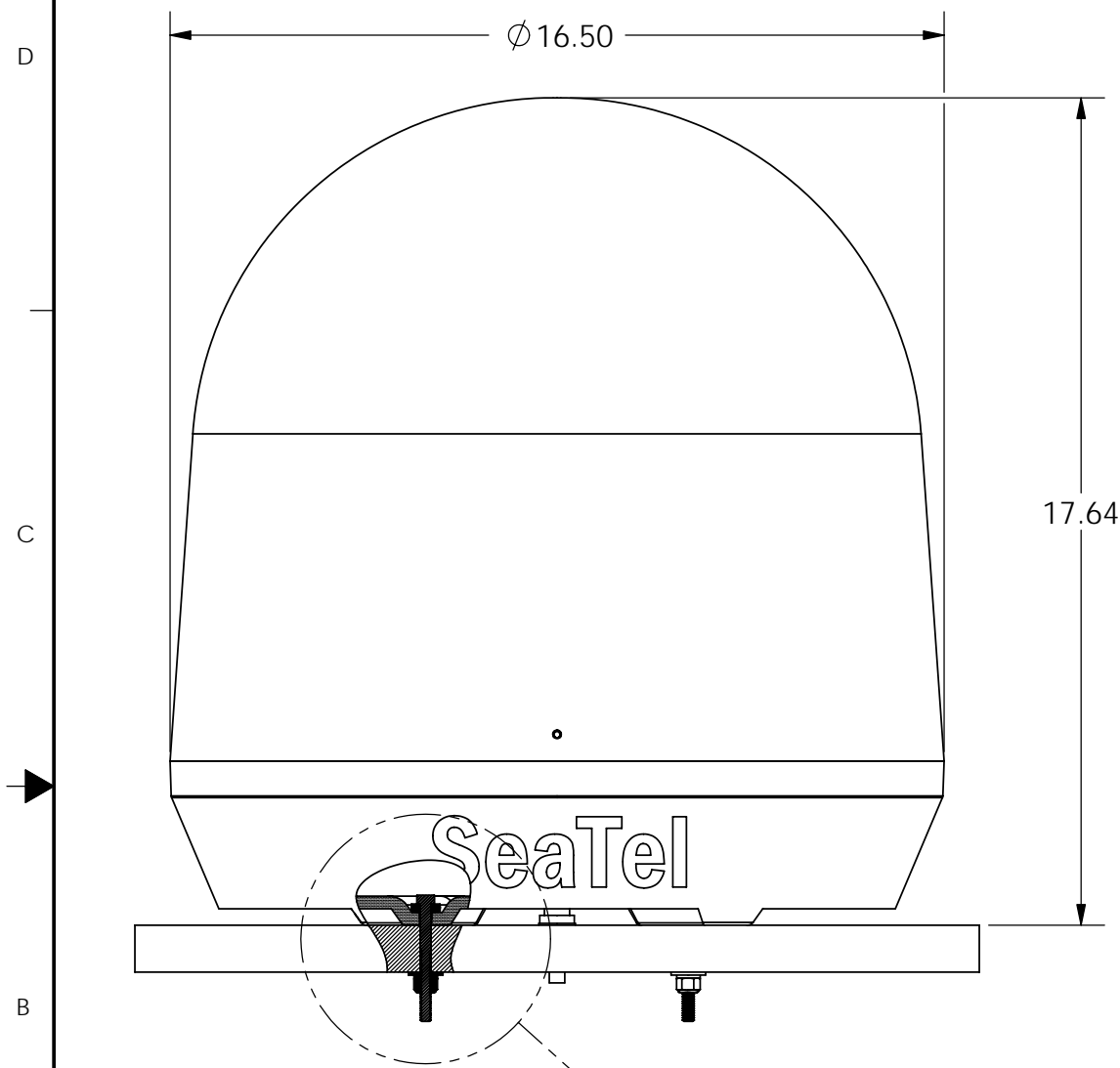


NOTES: UNLESS OTHERWISE SPECIFIED

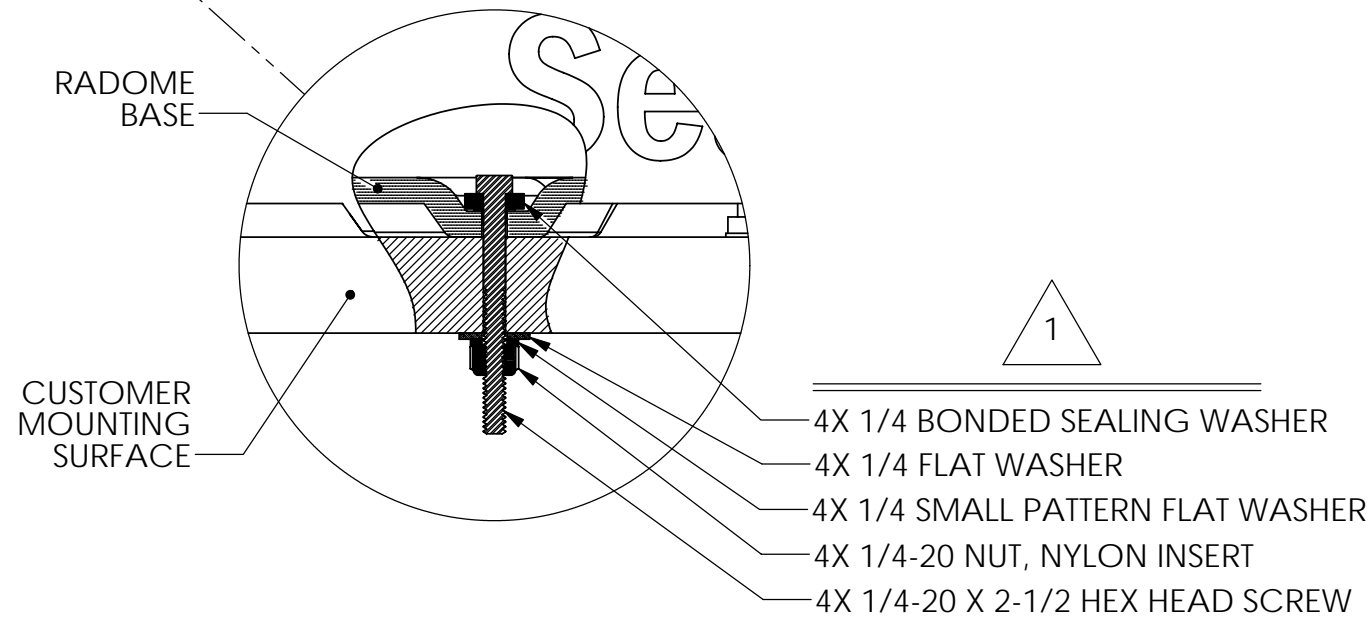
1. HARDWARE SHOWN IS CONTAINED IN RADOME MOUNTING KIT P/N: 126356-1.

REVISION HISTORY				
REV	ECO#	DATE	DESCRIPTION	BY
A1	N/A	02/08/07	CHANGED DESCRIPTION OF REF. DRAWING 126355, WAS RADOME MOUNTING TEMPLATE. CHANGED METRIC REFERENCE OF 1/4-20 CLEARANCE HOLES, WAS M8.	KRB




REFERENCE DRAWINGS

- 125818 SYSTEM
- 125699 SYSTEM BLOCK DIAGRAM
- 125773 GENERAL ASSEMBLY
- 126355 INSTALLATION TEMPLATE



- 4X 1/4 BONDED SEALING WASHER
- 4X 1/4 FLAT WASHER
- 4X 1/4 SMALL PATTERN FLAT WASHER
- 4X 1/4-20 NUT, NYLON INSERT
- 4X 1/4-20 X 2-1/2 HEX HEAD SCREW

UNLESS OTHERWISE SPECIFIED DIMENSIONS ARE IN INCHES. X.X = ±.050 X.XX = ±.020 X.XXX = ±.005 ANGLES: ±.5° INTERPRET TOLERANCING PER ASME Y14.5M - 1994		DRAWN BY: KRB		 4030 NELSON AVENUE CONCORD, CA 94520 Tel. 925-798-7979 Fax. 925-798-7986	
MATERIAL: N/A		DRAWN DATE: 02/01/07			
FINISH: N/A		APPROVED BY:		TITLE: INSTALLATION ARRANGEMENT COASTAL 14	
3rd ANGLE PROJECTION		APPROVED DATE:		DRAWING NUMBER 126357	
SIZE B		SCALE: 1:4		REV A1	
FIRST USED:				SHEET NUMBER 1 OF 1	