

2.2 – 2.5 GHz, 3 dB Blade Antenna

COBHAM

The most important thing we build is trust.

This antenna exhibits omni-directional coverage in the azimuth plane with a filled-in null elevation plane providing 3 dBi gain in the frequency range of 2.2 – 2.5 GHz. The blade antennas rugged, small, aerodynamic shape was built to withstand extreme shock and vibration environments, which is ideal for airborne applications. Being omni-directional in nature, no azimuth adjustment is required to maintain its specific gain.

The blade antenna is also used in stationary applications and ground based applications such as trucks, tanks, racing cars, motorcycles, etc

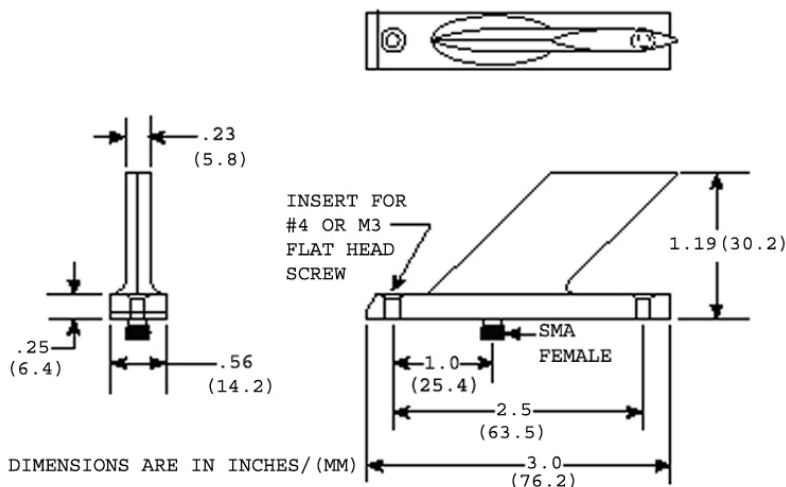
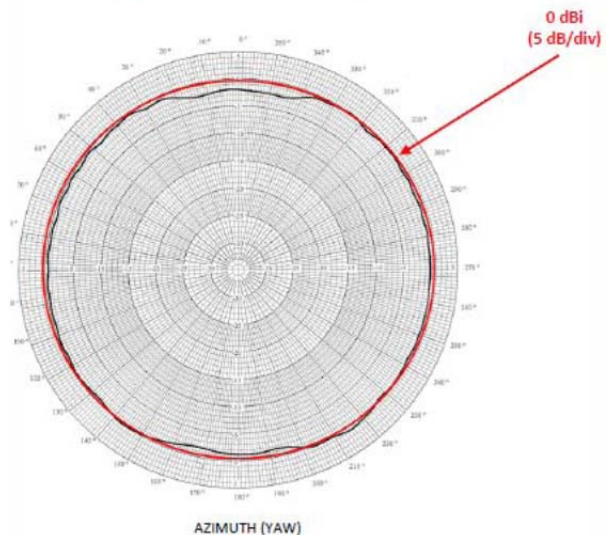
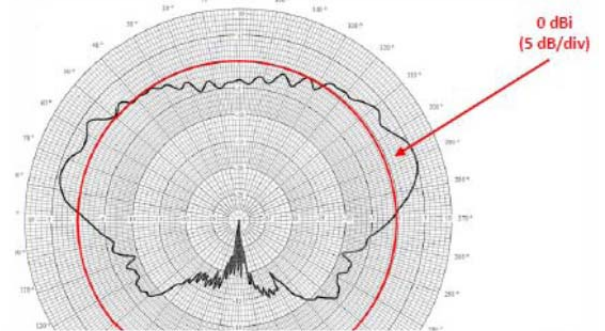
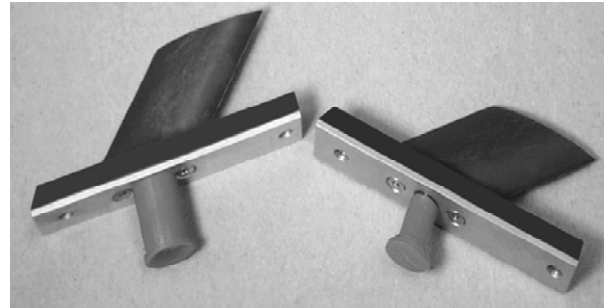
GMS Part # 501-078

Electrical Specifications:

Frequency: 2.2 – 2.5 GHz
Polarization: Linear, Vertical
Gain: 3 dBi
HPBW: 50 Degrees nominal
Z / VSWR: 50 Ohms / $\leq 1.5:1$
Power: 30 Watts cw
Connector: Type 'SMA-FM'

Mechanical Specifications:

Weight: 0.7 oz. (19.8 Grams)
Dimensions: 3.0" x 0.56" x 1.19"
(L x W x D) 76.2 mm x 14.2 mm x 30.2 mm
Construction: Glass filled nylon
Aluminum Ground Plane
Mounting: 2 each insert for #4 or M3 Flat Head Screw
Rating: Outdoor, Fixed or Mobile



DIMENSIONS ARE IN INCHES / (MM)

Specifications subject to change without prior notice
Typical values shown unless min or max is specified
100-DS0407X1 08NOV11 1 of 1

1916 Palomar Oaks Way, Suite 100 Carlsbad, CA 92008
Tel. (760) 496-0055 gms-sales@cobham.com
Fax. (760) 496-0057 GMS PRODUCTS