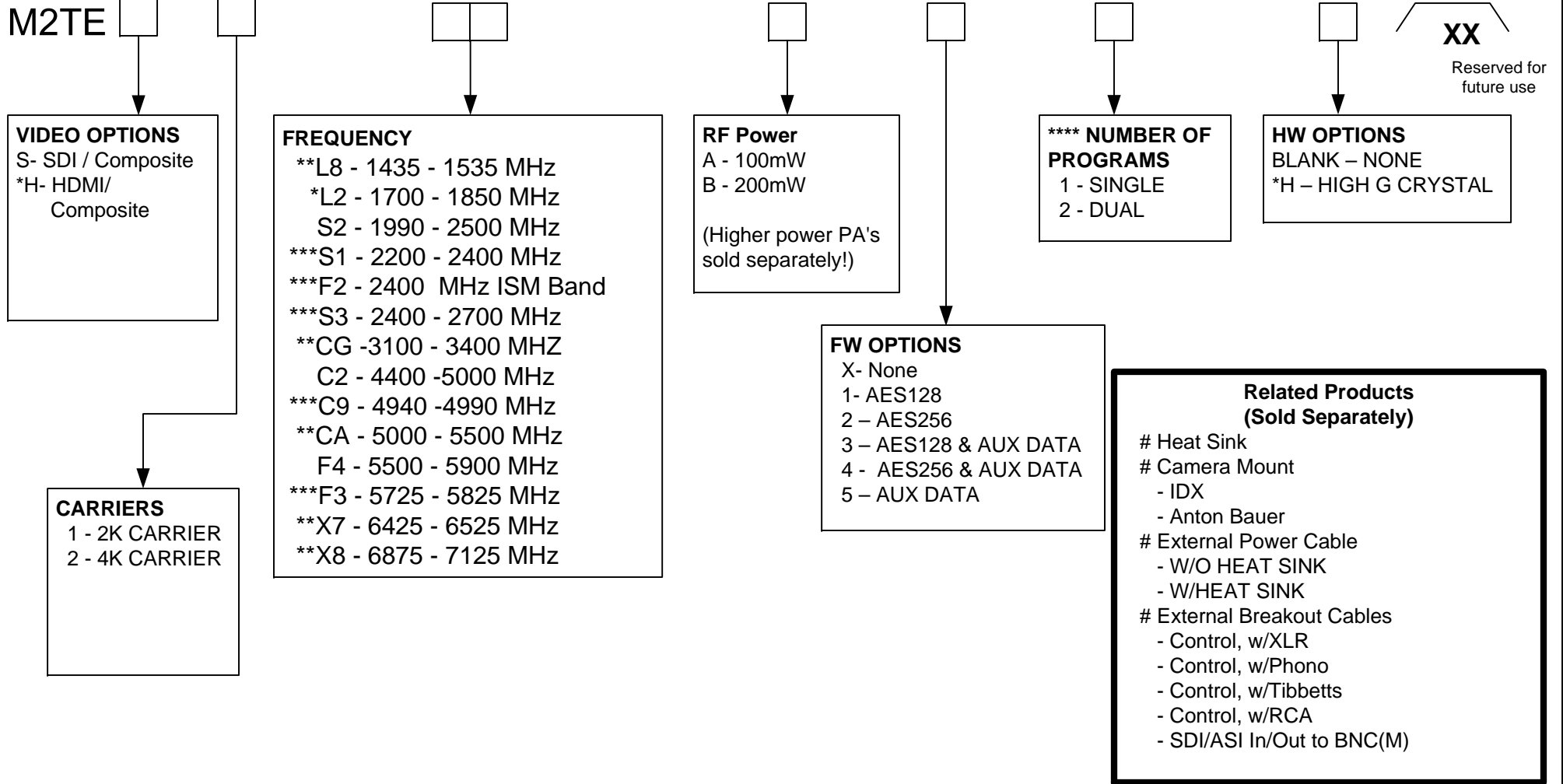


THIS DRAWING IS THE SOLE PROPERTY OF GMS INC.. THE CONTENTS ARE PROPRIETARY IN NATURE AND ARE NOT TO BE COPIED OR OTHERWISE DUPLICATED OR DISCLOSED TO OTHERS

EXPORT ADMINISTRATION REGULATIONS (EAR) NOTICE
 THESE COMMODITIES, TECHNOLOGY OR SOFTWARE ARE EXPORTED FROM THE UNITED STATES IN ACCORDANCE WITH THE EXPORT ADMINISTRATION REGULATIONS. DIVERSION CONTRARY TO U.S. LAW PROHIBITED

REVISIONS				
ECO	REV	DESCRIPTION	DATE	APPROVED
E1517	X1	INITIAL RELEASE	12/14/10	
E1624	X2	ADD AUX DATA	03/11/11	
E1735	X3	ADD HEATSINK,CAMERA BACK & EXT CABLES,UPDATE AVAIL FREQS	12/20/11 SLP	



NOTES:

- * In Development
- ** Planned future Product
- *** Special

**** A Program can include video, audio, low rate data and klv metadata*.

ENG/TECH	JDC	COBHAM		DWG TITLE	
DRAWN		TACTICAL COMMUNICATIONS AND SURVEILLANCE		MNI, M2TE	
ENG		SIZE	DATE	DWG NO	REV
PROD		A	12/14/2010	100-MNI0115X3	X3
QC		SCALE:	NONE	SHEET	1 OF 1