

MALI-010303-000000

Passive S-Band Non-Reflective Drop-in Limiter

COBHAM

2011 Datasheet Prelim

The most important thing we build is trust

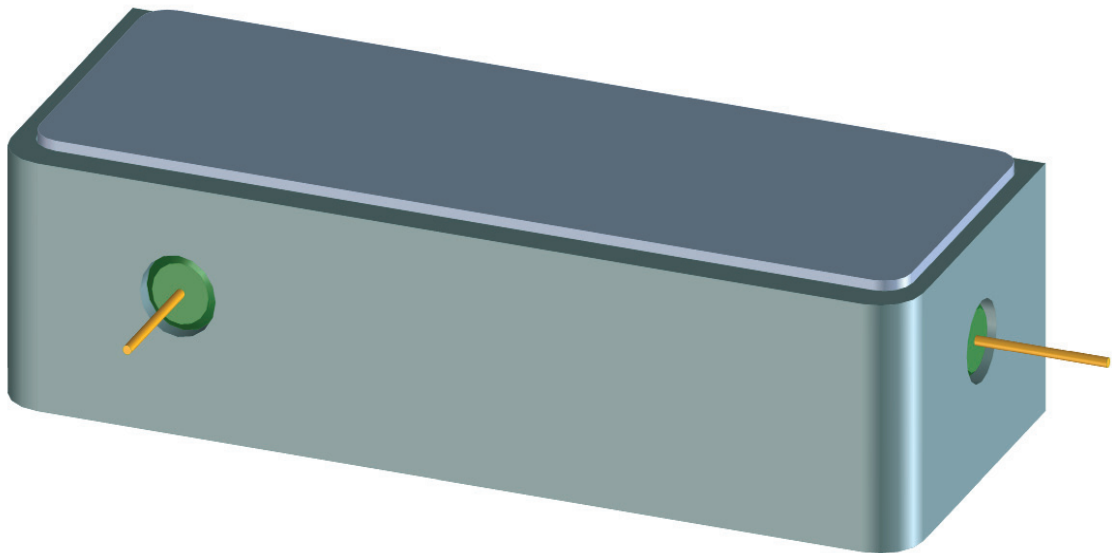
Description

Passive S-Band non-reflective drop-in limiter.

Features

- High Reliability
- High power handling
- Low insertion loss
- Low flat leakage
- Passive Protection
- European Manufacture.

Graphical representation

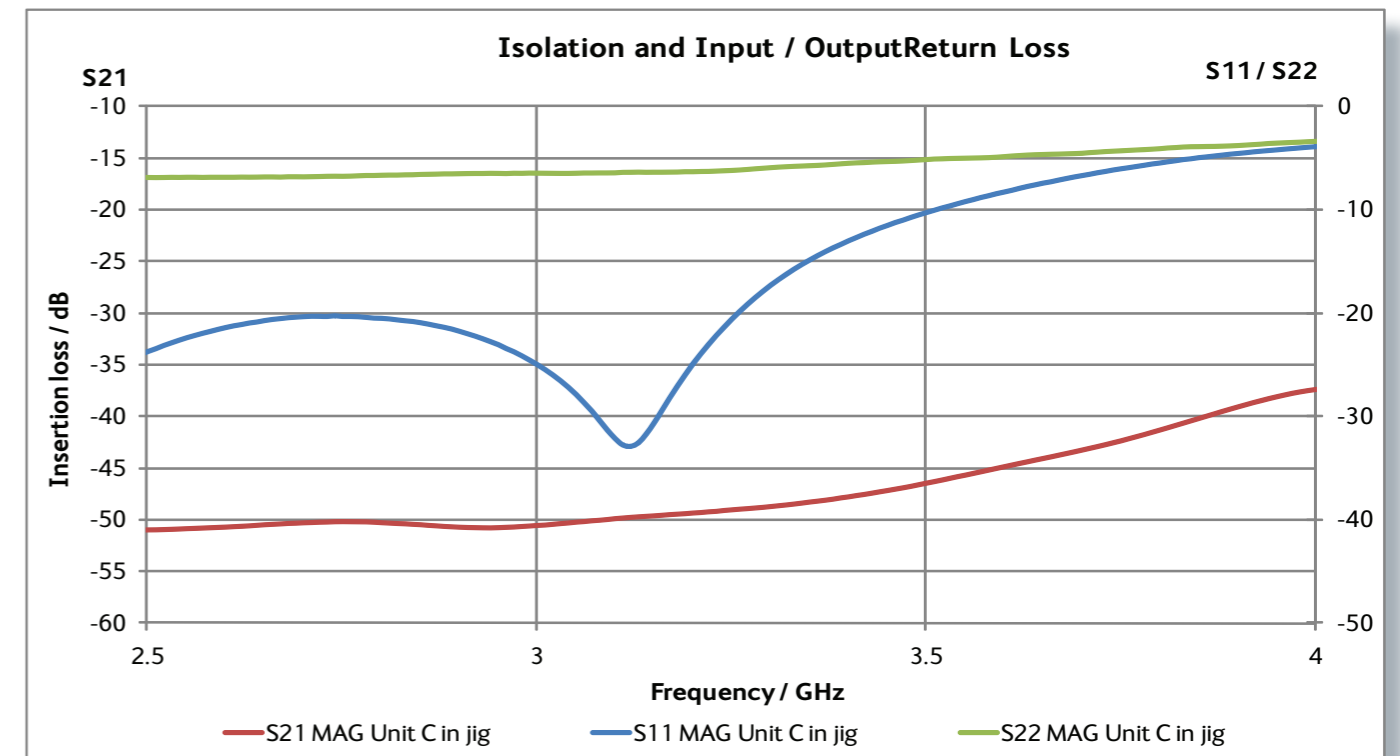
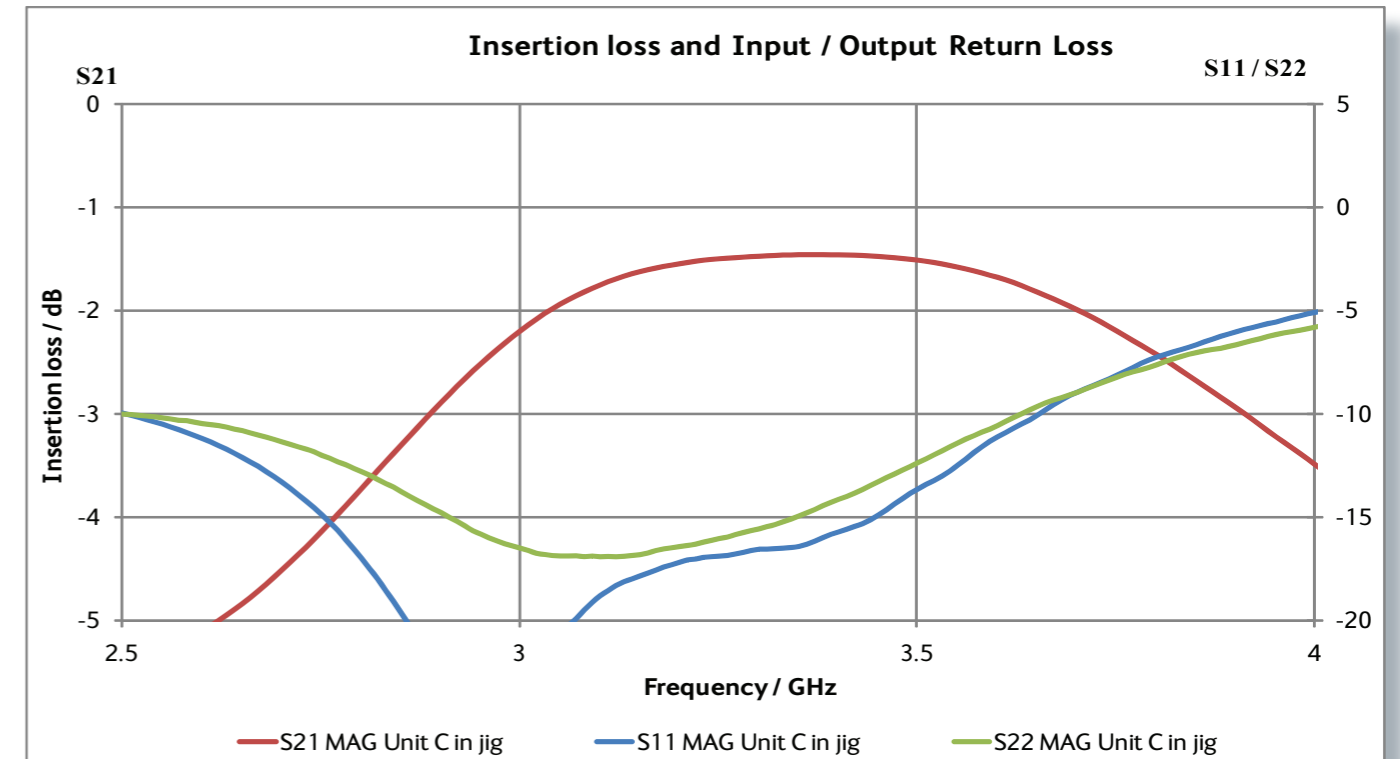


RF Performance

Parameter	Value			Units	
	Min.	typ.	Max.		
Frequency Band	3.1		3.5	GHz	
Insertion Loss (at 25°C)	1.3		1.8	dB	
Input Return Loss (all input power levels)	11			dB	
Output Return Loss (insertion loss state only)	10			dB	
Input Power	Mean power determined by the load inside the unit.			100	Watts
Pulse Width	Currently 20W max.			100	µs
Duty			20	%	
Flat Leakage		14	20	dBm	
Spike Leakage (RF rise time >= 15ns)		25	30	dBm	
Spike Leakage 3dB width	2		23	ns	
Recovery Time (to within 3dB of Insertion Loss)		0.6	1.0	µs	
Input connector	Feed through pin - solder mount				
Output connector					

Environmental	
Operating Temperature	-20°C to +65°C
Storage Temperature	-55°C to +90°C

Performance Data



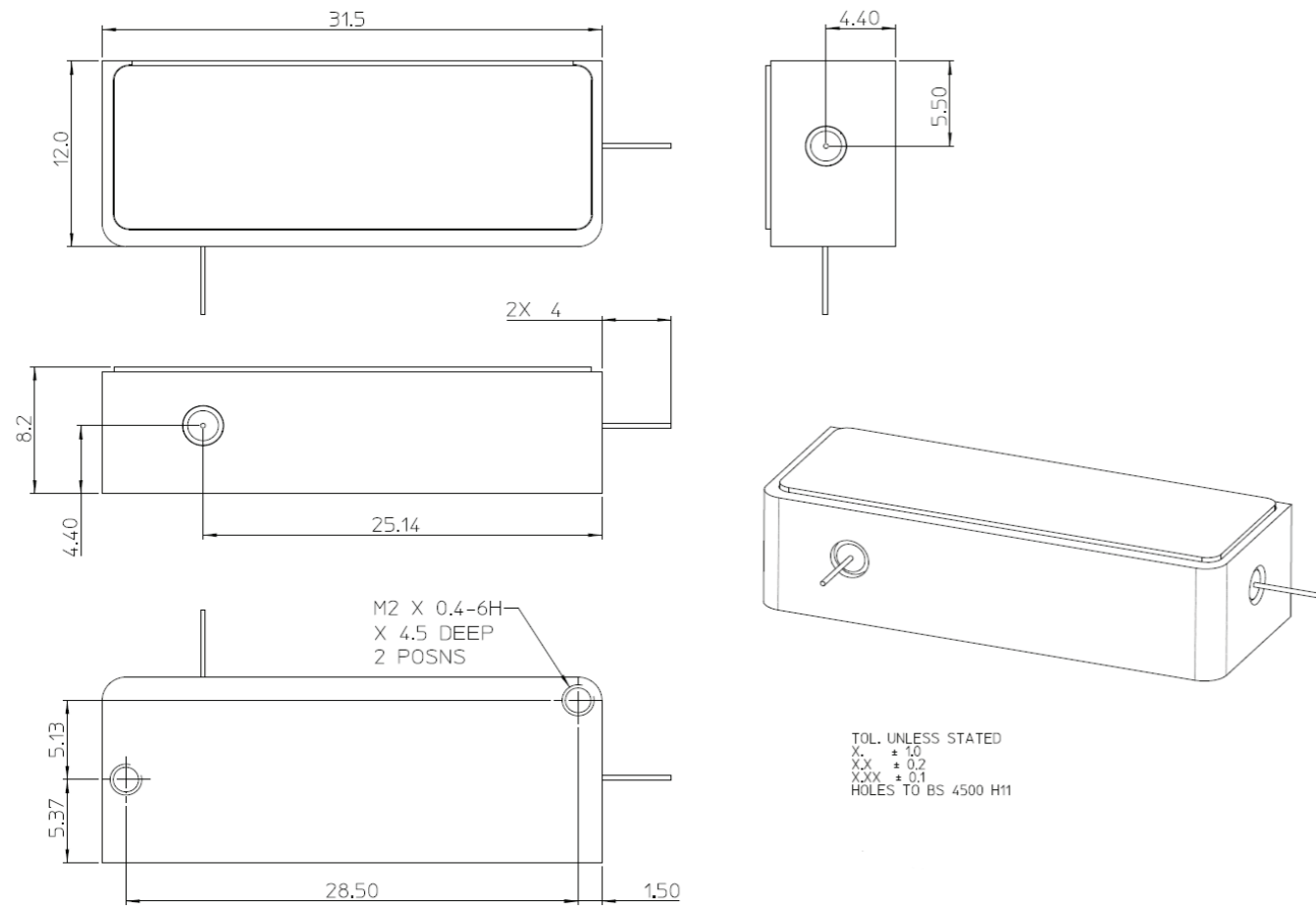
MALI-010303-000000

Passive S-Band Non-Reflective Drop-in Limiter

2011 Datasheet Prelim



Mechanical Outline



For further information please contact:

Cobham MAL Ltd.
Featherstone Road
Wolverton Mill
Milton Keynes, MK12 5EW
England
Tel: +44 (0) 1908 574200
Fax: +44 (0) 1908 574300
E-mail - cobham.mal@cobham.com

