

# APCFV09S065X7

9 dB Broadband Patch Antenna 4400-6400 MHz

**COBHAM**

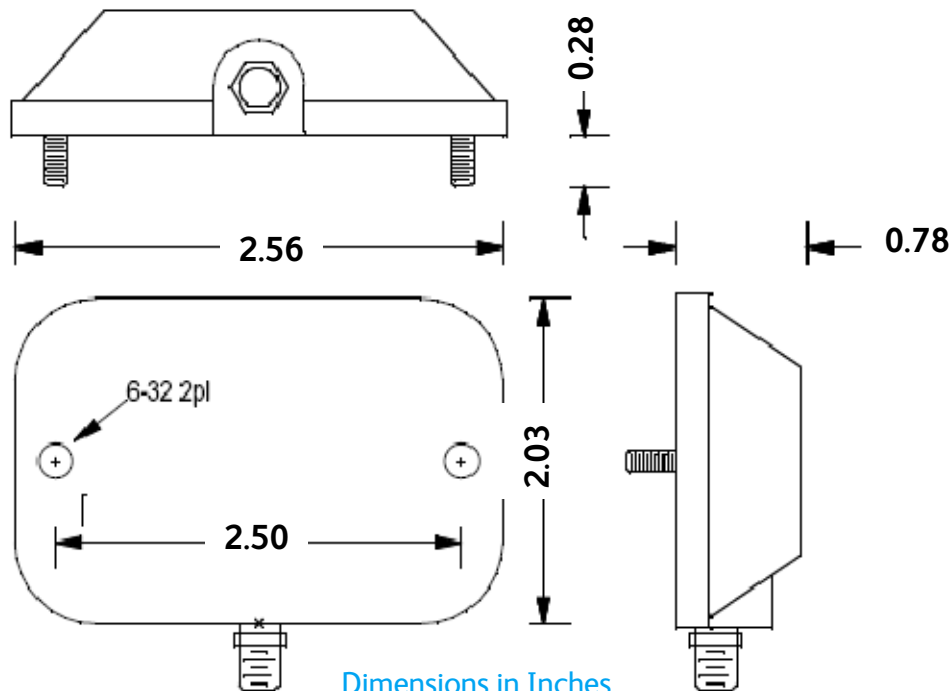
The most important thing we build is trust.

The APCFV09S065X7 is a precision broadband antenna with a sealed weather-proof Kydex Radome. The antenna is fed by an SMA-F Connector.

The exceptional electrical performance and gain of this antenna makes it especially useful for broadband receivers and transmitters.



Vertical Orientation Shown



Dimensions in Inches

Specifications subject to change without prior notice  
Typical values shown unless min or max is specified  
100-DS0371X2 10/25/10 1 of 2

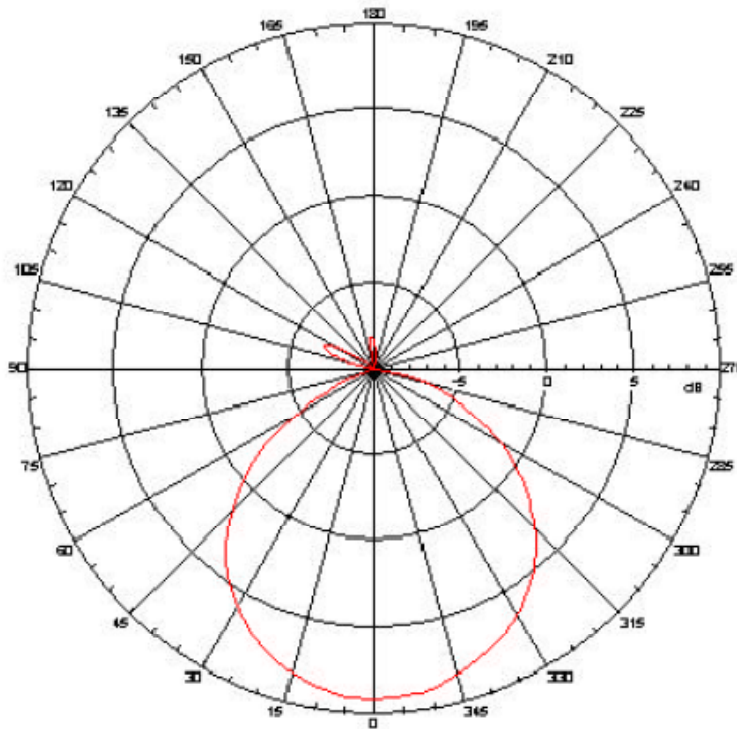
# APCFV09S065X7

9 dB Broadband Patch Antenna 4400-6400 MHz



## Specifications:

Frequency:	4400 – 6400 MHz
Gain:	9 dBi
HPBW:	Vert: 55° Horz: 65°
Polarity:	Linear
VSWR:	<=1.5:1
Power:	50 Watts (Max)
Weight:	4 ounces (113.4 grams)
Connector:	SMA-F Side Mount
Rating:	Outdoor - Fixed or Mobile
Construction:	Aluminum Ground Plane Kydex Radome
Mounting:	6-32 X 2, 2.50" (6.35 cm) Spacing



Specifications subject to change without prior notice  
Typical values shown unless min or max is specified  
100-DS0371X2 10/25/10 2 of 2

1916 Palomar Oaks Way, Suite 100 Carlsbad, CA 92008  
Tel. (760) 496-0055 [gms-sales@cobham.com](mailto:gms-sales@cobham.com)  
Fax. (760) 496-0057 GMS PRODUCTS