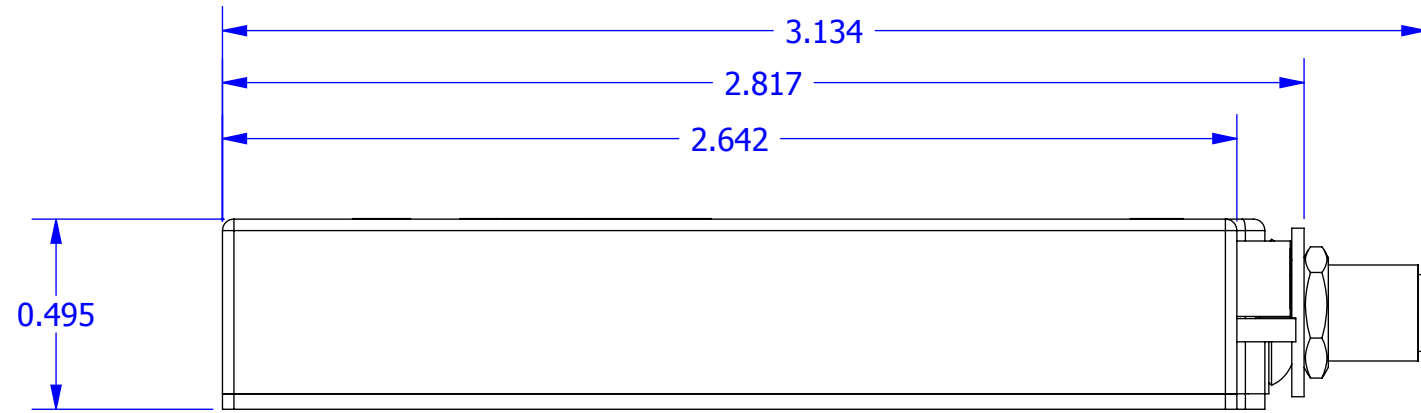
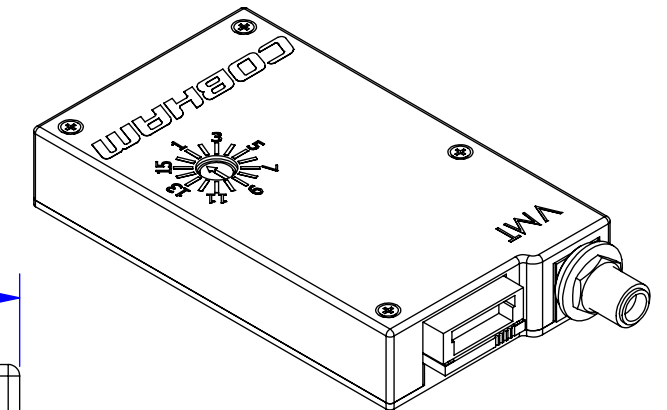
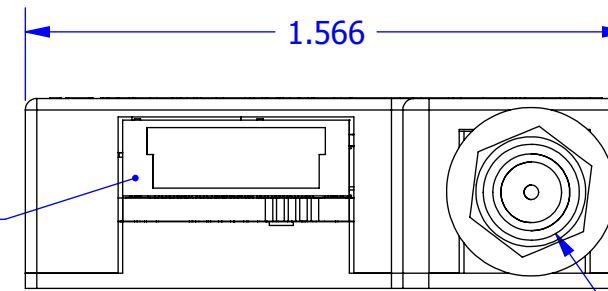


NOTES: (UNLESS OTHERWISE SPECIFIED)
 1. DRAWING AS PER ASME Y14.5 - 1994.

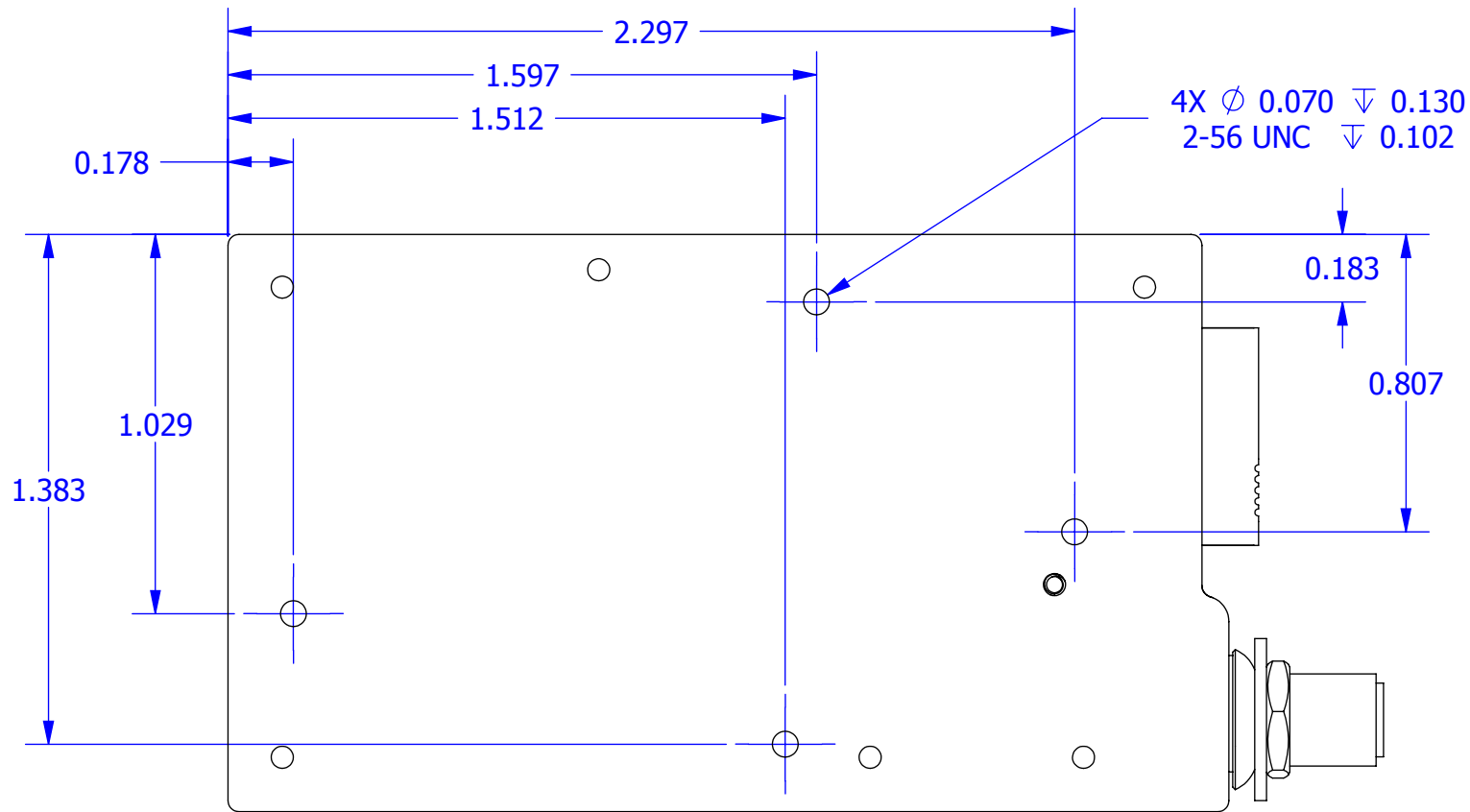
REVISION:						
REV	ECR/ECO	DESCRIPTION	DATE	DRFT	CHK	APPR
X1	E1105	INITIAL RELEASE	12/08/08	SLP		
X1A	E1132	ADD ETCHED CHASSIS CONFIGURATIONS	03/23/09	SLP		
X2	E1306	REMOVE ETCHED CHASSIS CONFIGURATIONS	11/02/09	SLP		
---	----	ADD SWITCH PCB	-----	---		
X2A	E1518	UPDATE DWG FORMAT	09/23/10	SLP		



DC PWR INPUT
MISC I/O

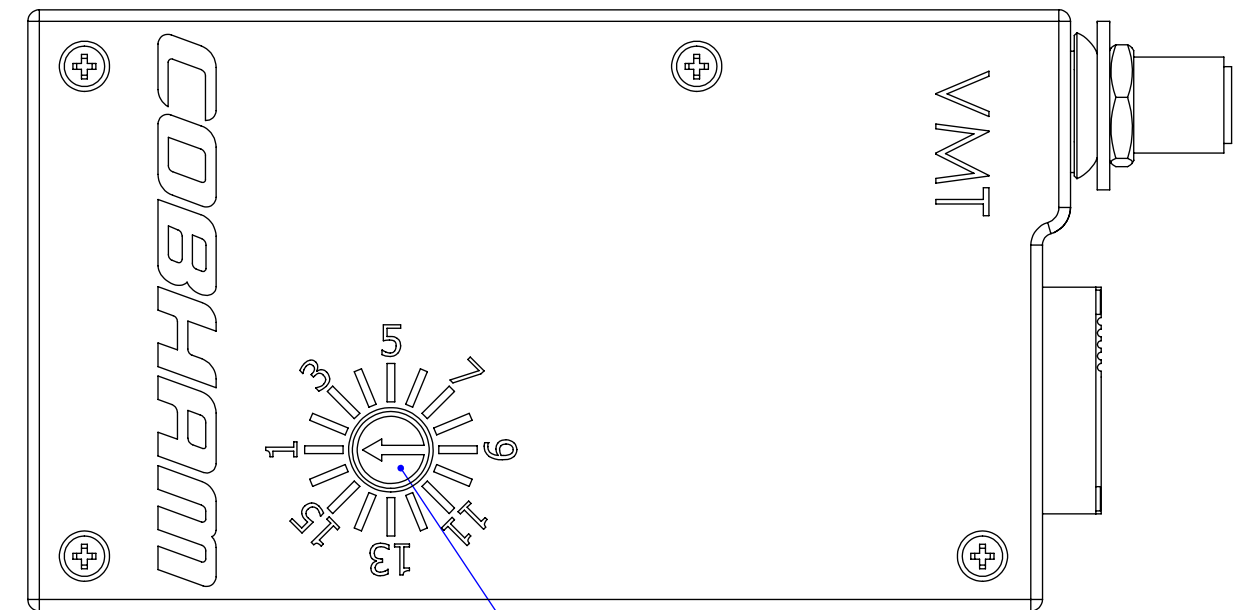


RF OUTPUT
50 OHM SMA FEMALE



BOTTOM VIEW

4X \varnothing 0.070 ∇ 0.130
2-56 UNC ∇ 0.102



TOP VIEW

PRESET CONFIGURATIONS
SWITCH

TOLERANCES UNLESS OTHERWISE SPECIFIED DIMENSIONS ARE IN INCHES DO NOT SCALE DRAWING		COBHAM GMS INC. COBHAM SURVEILLANCE T: (760)496-0055 F: (760)496-0057 WWW.COBHAM.COM/GMS	SIZE: B	DRAWING TITLE: MD,VMT	DRAWING: 100-MD0099X2A	DRAWN BY: S PHILLIPS	DATE: 12/08/08
LINEAR X.X = +/- 0.1 X.XX = +/- 0.02 X.XXX = +/- 0.005	ANGLE X.X = +/- 0.2 DEG 		SCALE: N/A		APPROX WEIGHT: 0.076 LBS	DESIGNER: S PHILLIPS	DATE: 12/08/08
					BOM: 800-A0992X4	ENGINEER: O. DE MEYER	DATE:
						SHEET: 1 OF 1	REV X2A