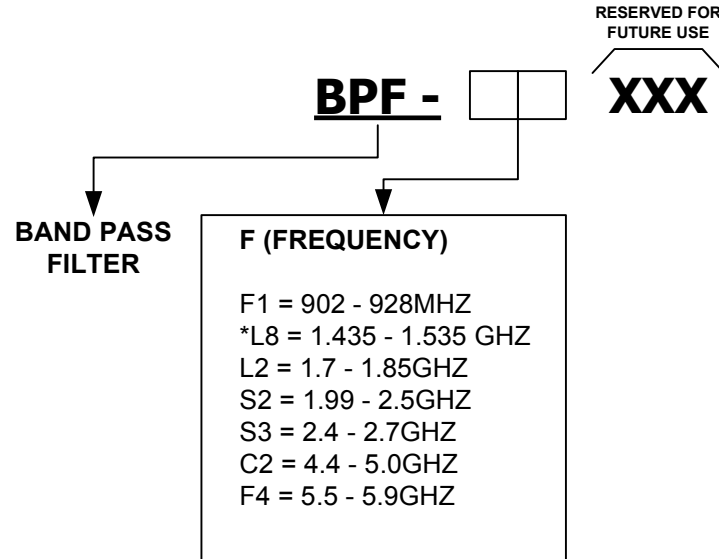


NOTES:

* DESIGN IN PROCESS

REVISIONS				
ECO	REV	DESCRIPTION	DATE	APPROVED
E0437	X1	INITIAL RELEASE	07/28/05 SLP	
E0452X1	X1A	REMOVE L7 BAND	08/17/05 SLP	
E0452X2	X1B	REMOVE I/O CONNECTOR OPTIONS	09/13/05 SLP	



ENG/TECH	COBHAM GMS Products		DWG TITLE	
DRAWN SLP			MNI, BPF	
ENG	SIZE	DATE	DWG NO	REV
PROD	A	07/28/05	100-MNI0036X1B	X1B
QC	SCALE:	NONE	SHEET	1 OF 1