

Notes:

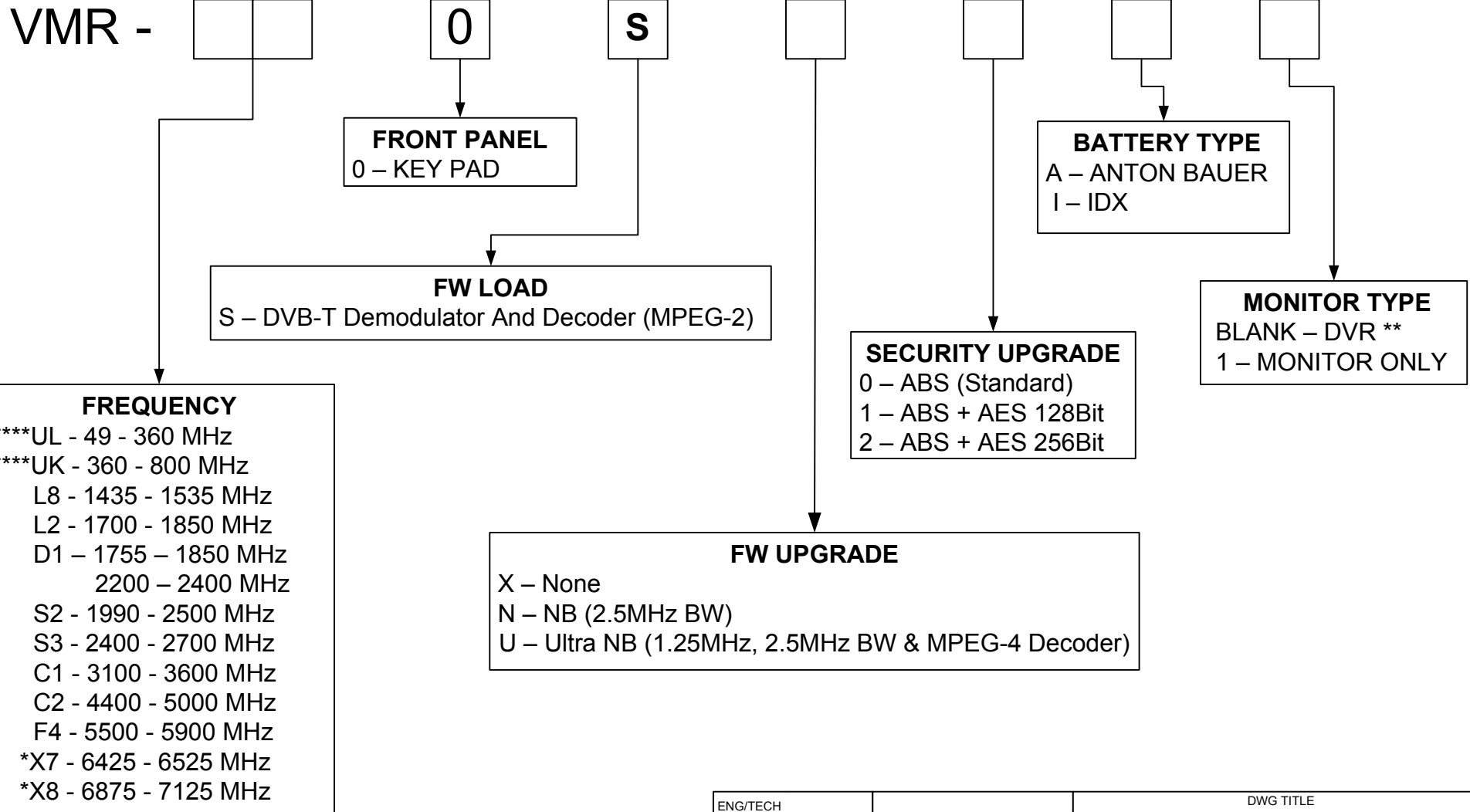
* In Development

** Not available after July 2009

*** pg 2 of this document is for internal purposes and shall not be made publicly available

**** Internal LNA included

REVISIONS				
ECO	REV	DESCRIPTION	DATE	APPROVED
E0891	X1	INITIAL RELEASE	1/28/08	
E1177	X2	ADDED MONITOR TYPE, REMOVED FW LOAD M	03/25/09	
E1228	X3	ADD D1 FREQUENCY OPTIONS	07/15/09	
E1311	X4	DVR MONITOR NO LONGER AVAILABLE	10/05/09	
E1478	X4A	**** NOTE ADDED	07/23/10	



ENG/TECH	COBHAM GMS Products		DWG TITLE	
DRAWN			MNI, VMR	
ENG	SIZE	DATE	DWG NO	REV
PROD	A	03/16/09	100-MNI0075X4A	X4A
QC	SCALE:	NONE	SHEET	1 OF 2