

Notes:

*LNA will be installed instead of a BDCC

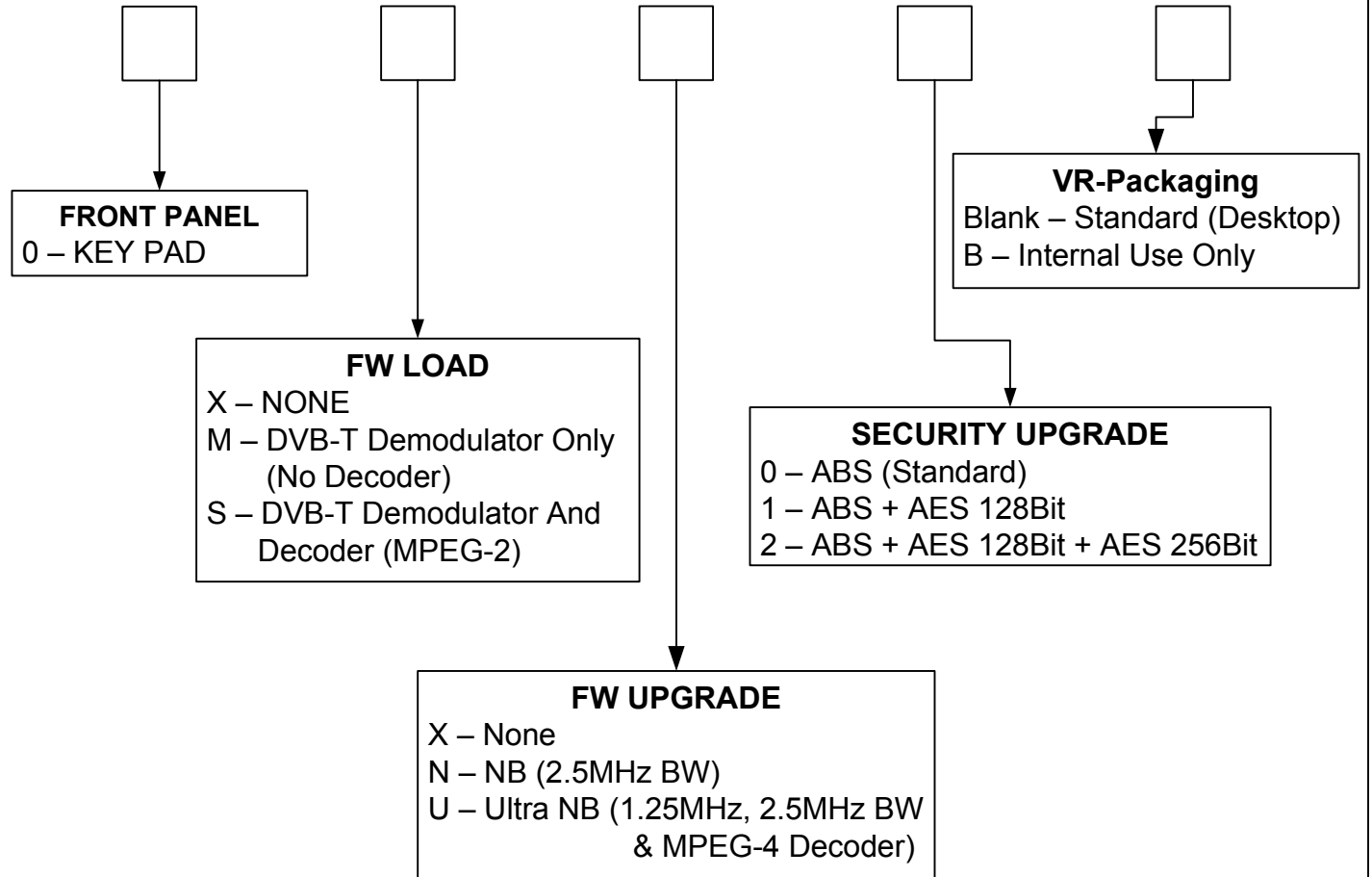
**In Development

***Special – Contact Factory

****To be used with external BDCC (no LNA installed internally)

REVISIONS				
ECO	REV	DESCRIPTION	DATE	APPROVED
E0804	X1	INITIAL RELEASE	10/03/07	
E0872	X1A	UPDATE FREQUENCY	03/10/08	
E0960	X2	ADD Option no BDCC/LNA and no FW	05/08/08	
E1228	X3	ADD D1 FREQUENCY OPTION	07/15/09	
E1295	X3A	ADD PACKAGING AND S1 & LB BANDS	10/20/09	
E1478	X3B	**** NOTE ADDED	07/23/10	

VR -



FREQUENCY
****UM – 50 – 850 MHz
*UL – 50 – 360 MHz
*UK – 360 – 800 MHz
L8 – 1435 – 1535 MHz
L2 – 1700 – 1850 MHz
***LB – 1755 – 1850 MHz
D1 – 1755 – 1850 MHz & 2200 – 2400 MHz
***S1 – 2200 – 2400 MHz
S2 – 1990 – 2500 MHz
S3 – 2400 – 2700 MHz
C1 – 3100 – 3600 MHz
C2 – 4400 – 5000 MHz
F4 – 5500 – 5900 MHz
**X7 – 6425 – 6525 MHz
**X8 – 6875 – 7125 MHz
**X5 – 8100 – 8500 MHz

ENG/TECH	RM	COBHAM GMS Products	DWG TITLE	
DRAWN	RM		MNI, VR	
ENG		SIZE	DATE	DWG NO
PROD		A	10/20/09	100-MNI0069X3B
QC		SCALE:	NONE	REV X3B
				SHEET 1 OF 1