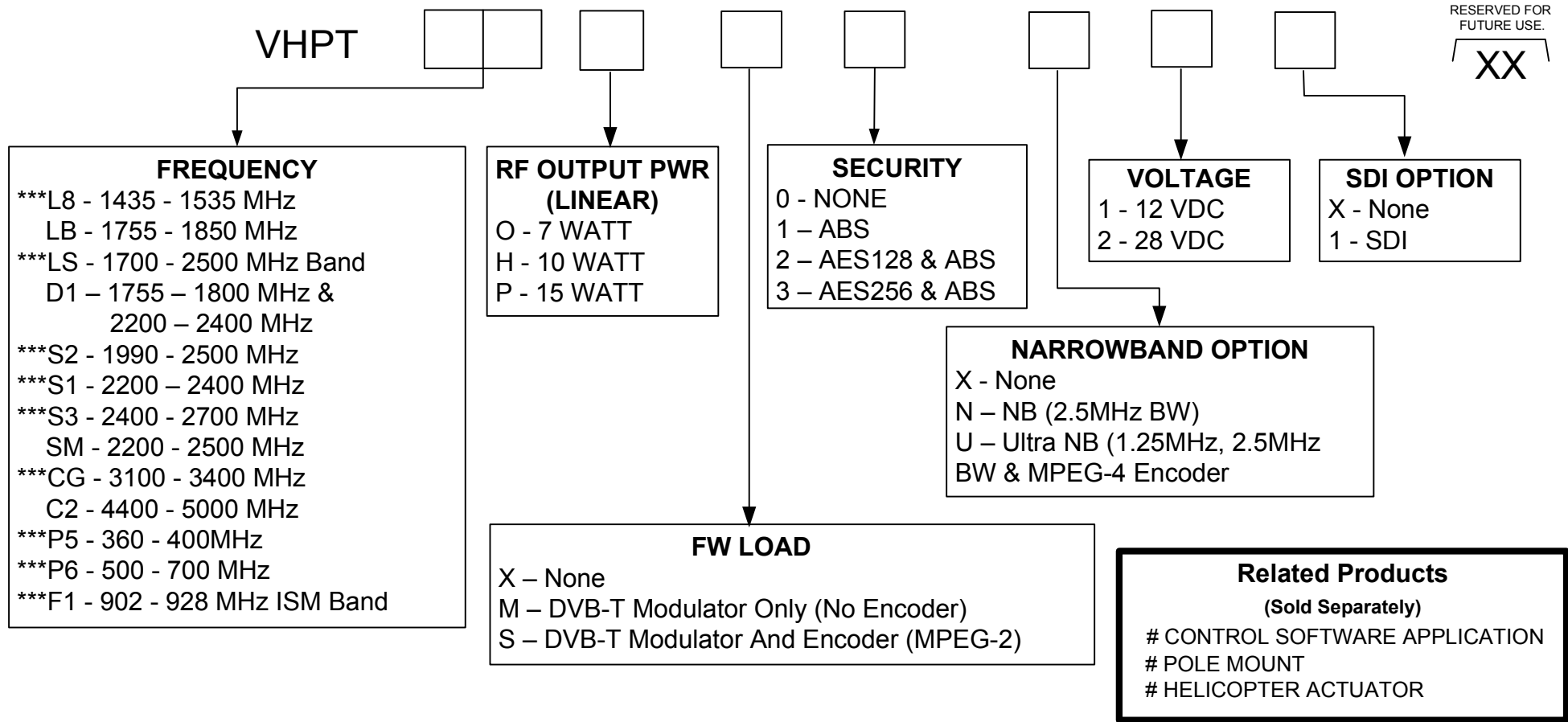


NOTES:

- * In Development
- ** Planned future Product
- *** Special

REVISIONS				
ECO	REV	DESCRIPTION	DATE	APPROVED
E1405	X2	CREATE MNI FOR M2HPT	04/12/10 JDC	



ENG/TECH	COBHAM		DWG TITLE	
DRAWN JDC	GMS Products		MNI, VHPT	
ENG	SIZE	DATE	DWG NO	REV
PROD	A	04/12/10	100-MNI0102X1	X1
QC	SCALE:	NONE	SHEET	1 OF 1