

# MALI-010301-000000

Ka-Band 10kW Active Waveguide Limiter

**COBHAM**

2010 Data Sheet v1

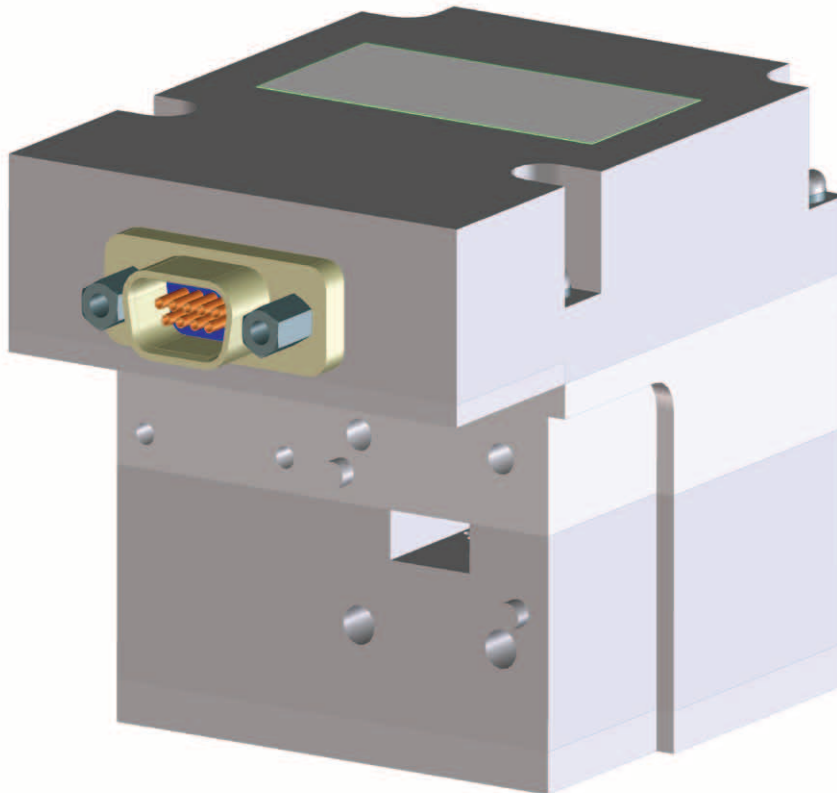
The most important thing we build is trust

## Description

This Ka-Band active waveguide limiter allows the system direct control over when the limiting function is applied. Passive limiting provides protection from non-coherent threats.

## Features

- High Reliability
- High power handling
- Low insertion loss
- Low flat leakage
- Active control
- Passive Protection
- European Manufacture.



# MALI-010301-000000

Ka-Band Active Waveguide Limiter

2010 Data Sheet v1



## RF Performance

Parameter	Value			Units
	Min.	typ.	Max.	
Bandwidth			900	MHz
Frequency Band	33		35.5	GHz
Insertion Loss			1.6	dB
Input Return Loss	14			dB
Output Return Loss	14			dB
Peak Input Power Active			10	kWatts
Pulse Width Active			150	ns
Mean Power Active			4	Watts
Peak Input Power Passive			2	kWatts
Pulse Width Passive			250	ns
Mean Power Passive			4	Watts
Flat Leakage			50	mW
Spike Leakage (RF rise time >= 15ns)			300	mW
Recovery Time (to within 3dB of Insertion Loss)			1.0	µs
Waveguide Pressure (Absolute)	200		345	kN/m <sup>2</sup>
Waveguide Leak Rate			10	cc/hr
Input Drive (Complimentary LVDS)				
Supply current, +15V Rail			100	mA

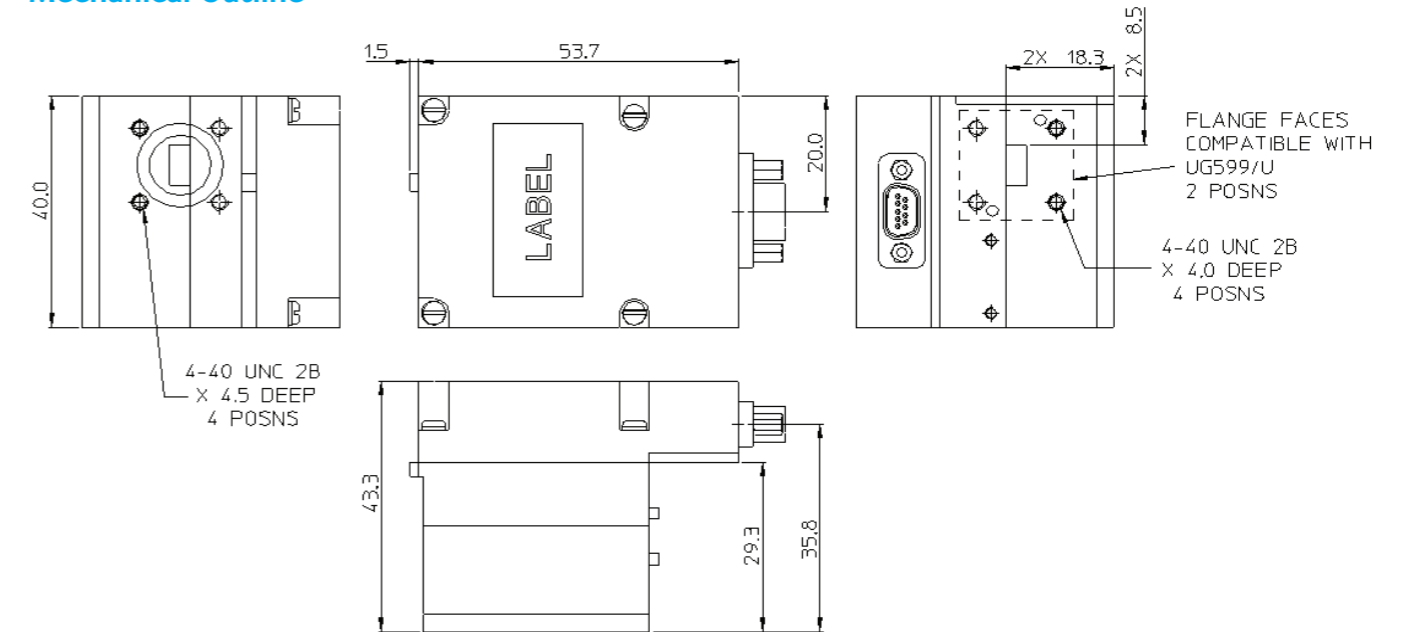
(Applies over the frequency range, output and input characteristic impedance of stated waveguide. Unless otherwise stated limits & conditions are indicated values.)

Environmental	
Operating Temperature	-40°C to +70°C
Storage Temperature	-55°C to +90°C
RF Connections	
Input / Output	WG22

## Pin-out - 15 Way MDM Socket

Pin	Function
1	+15V Supply
2	GND
3	LDVS +
4	LDVS -

## Mechanical Outline





For further information please contact:

**Cobham Sensor Systems**

Featherstone Road

Wolverton Mill

Milton Keynes, MK12 5EW

England

Tel: +44 (0) 1908 574200

Fax: +44 (0) 1908 574300

E-mail - [cobham.mal@cobham.com](mailto:cobham.mal@cobham.com)